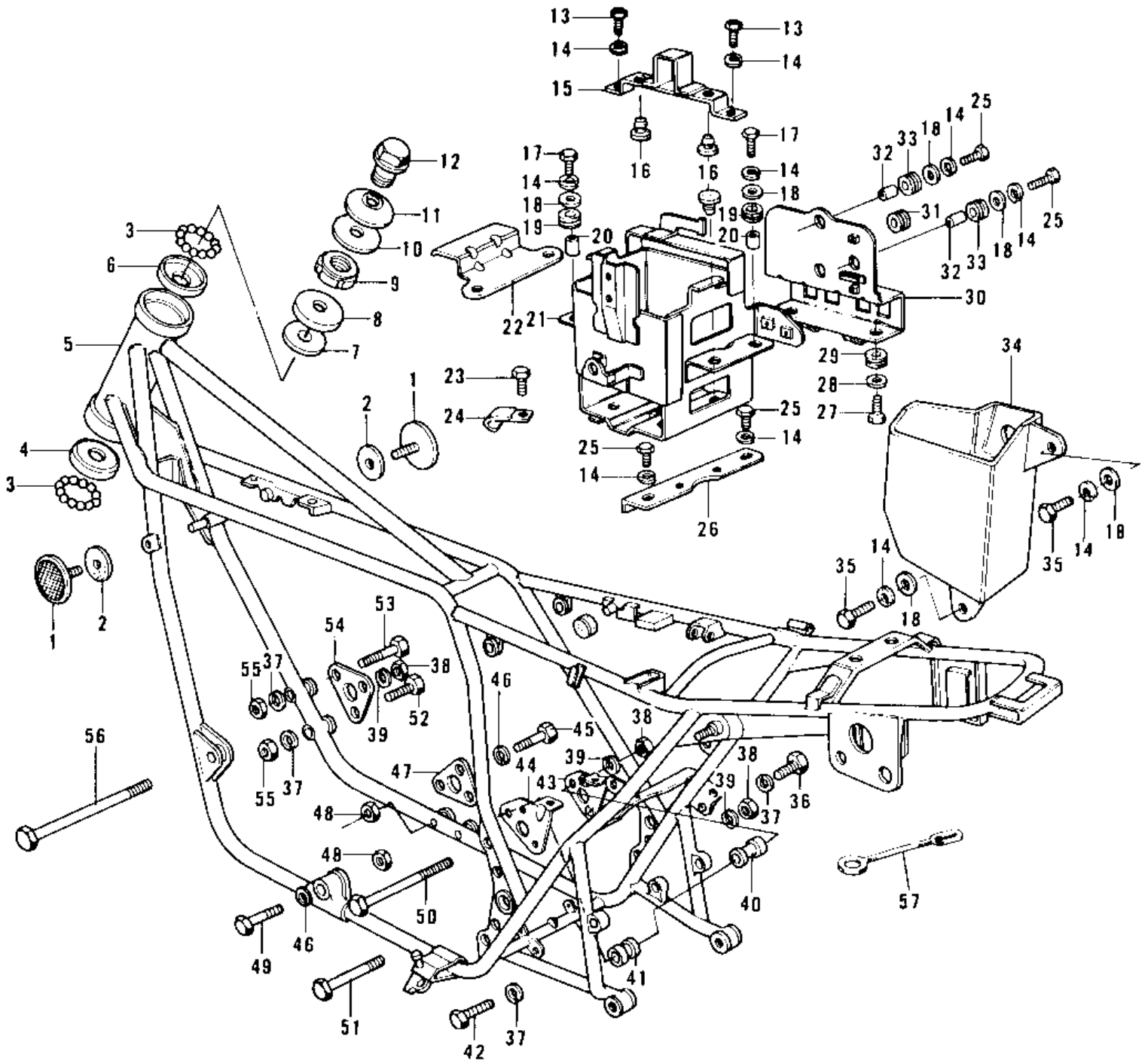


1976 LTD PARTS DIAGRAM

FRAME/FRAME FITTINGS



1976 LTD PARTS LIST

FRAME/FRAME FITTINGS

ITEM NAME	PART NUMBER	QUANTITY
REFLECTOR,REFLEX (Ref # 1)	28012-016	2
DAMPER RUBBER,REFLEC (Ref # 2)	92094-011	2
BALL STEEL 1/4' (Ref # 3)	600A0800	39
RACE,STRNG STM BRNG (Ref # 4)	92048-008	1
FRAME (Ref # 5)	32002-154	1
RACE STRNG STEM BERN (Ref # 6)	92048-006	1
CONE,STRNG STM BRNG (Ref # 7)	92047-011	1
CAP, STEERING STEM (Ref # 8)	46098-016	1
NUT STEERING STEM LC (Ref # 9)	92090-007	1
WASHER,WAVE (Ref # 10)	46100-003	1
WASHER,STEERG STM HD (Ref # 11)	92022-230	1
BOLT,STEERG STEM HEA (Ref # 12)	92007-031	1
SCREW PAN HEAD 6X16 (Ref # 13)	220B0616	2
WASHER SPRING 6MM (Ref # 14)	461F0600	12
BAND,BATTERY (Ref # 15)	32100-020	1
DAMPER RUBBER (Ref # 16)	92075-078	10
BOLT-UPSET (Ref # 17)	112G0625	4
WASHER 6.5X20X1.6T (Ref # 18)	92022-125	8
DAMPER RUBBER (Ref # 19)	92075-076	4
COLLAR,6.8X10X8.5 (Ref # 20)	92027-129	4
CASE,BATTERY (Ref # 21)	32097-039	1
STAY,AIR CLEANER (Ref # 22)	32105-006	1
BOLT,6X10 (Ref # 23)	112G0610	1
CLAMP,WIRING HARNESS (Ref # 24)	21126-008	1
BOLT-UPSET,6X16 (Ref # 25)	112G0616	4
PLATE,BATTERY CASE (Ref # 26)	32113-003	1
BOLT,HEAX HEAD,6X14 (Ref # 27)	92001-115	2
WASHER PLAIN 8MM (Ref # 28)	410B0800	2
DAMPER RUBBER,BATTER (Ref # 29)	92075-161	2

1976 LTD PARTS LIST

FRAME/FRAME FITTINGS

ITEM NAME	PART NUMBER	QUANTITY
BRACKET,BASE (Ref # 30)	32129-006	1
DAMPER RUBBER (Ref # 31)	92075-051	1
COLLAR (Ref # 32)	92027-165	2
DAMPER RUBBER (Ref # 33)	92075-149	2
CASE,TOOL (Ref # 34)	32098-024	1
BOLT-UPSET 6X14 (Ref # 35)	112B0614	2
BOLT (Ref # 36)	92001-1578	3
WASHER SPRING 8MM (Ref # 37)	461F0800	8
NUT,10MM (Ref # 38)	92015-1429	3
WASHER SPRING 10MM (Ref # 39)	461F1000	3
COLLAR,ENG MOUNTING (Ref # 40)	92027-160	1
COLLAR,ENG MOUNTING (Ref # 41)	92027-159	1
BOLT,FLANGED,8X35 (Ref # 42)	92001-1577	1
PLATE,ENGINE RR,R.H (Ref # 43)	32030-056	1
PLATE,REAR ENGINE,L. (Ref # 44)	32030-066	1
BOLT,HEX HEAD,12X70 (Ref # 45)	92001-1265	1
WASHER SPRING 12MM (Ref # 46)	461F1200	2
PLATE,ENG MOUNT LOWE (Ref # 47)	32030-026	1
NUT,12MM (Ref # 48)	92016-045	2
BOLT,HEX HEAD,12X55 (Ref # 49)	92001-1262	1
BOLT,ENGINE MOUNTING (Ref # 50)	92091-023	1
BOLT,ENGINE MOUNTING (Ref # 51)	92003-099	1
BOLT,HEX HEAD,8X59 (Ref # 52)	110G0859	1
BOLT-8X63 (Ref # 53)	92001-1397	1
PLATE,ENG MOUNT FRON (Ref # 54)	32030-025	1
NUT,8MM (Ref # 55)	311B0800	2
BOLT,ENGINE MOUNTING (Ref # 56)	92091-022	1
CLAMP,OVER FLOW PIPE (Ref # 57)	92037-134	2