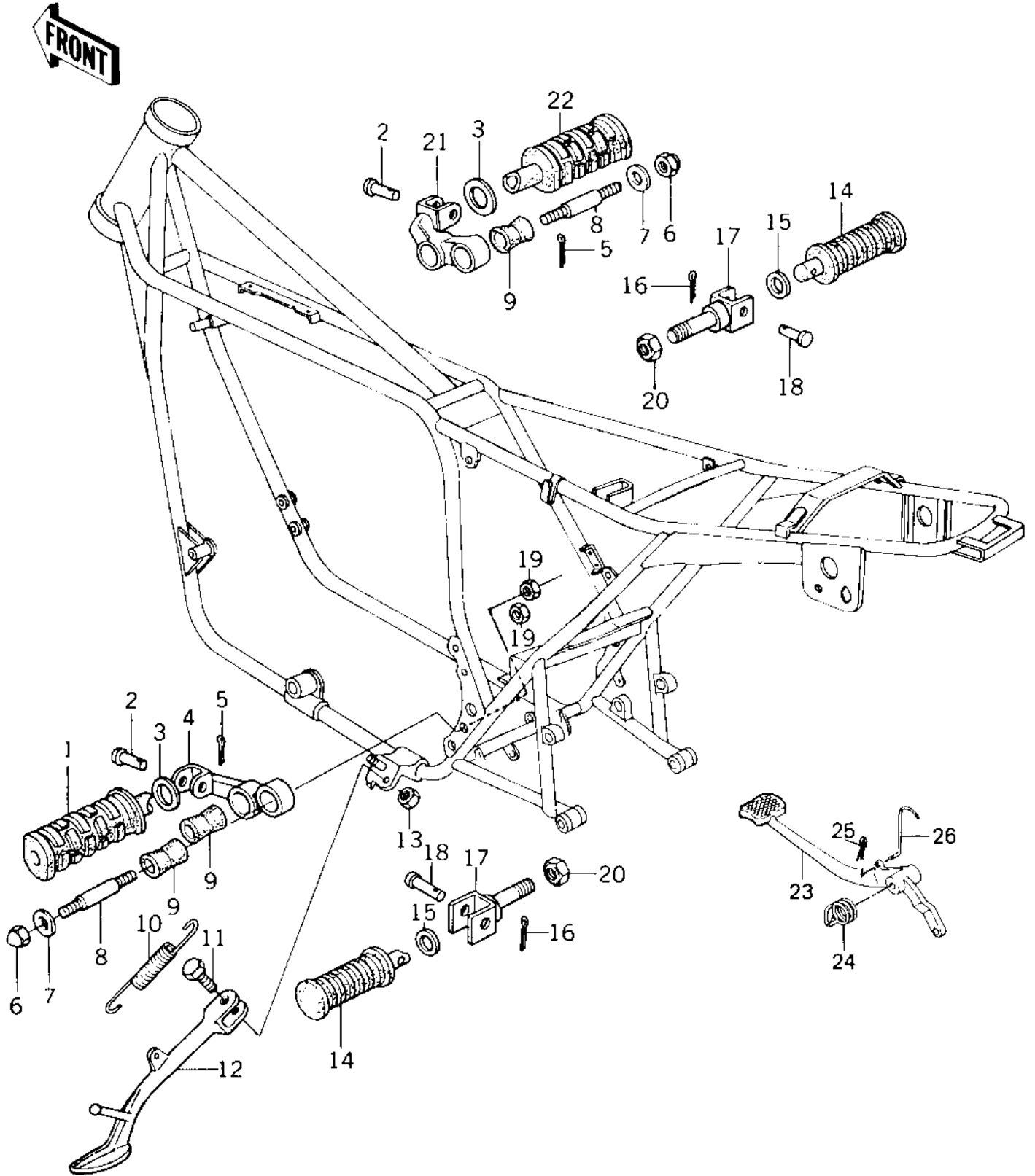


# 1976 LTD PARTS DIAGRAM

FOOTRESTS/STAND/BRAKE PEDAL



# 1976 LTD PARTS LIST

## FOOTRESTS/STAND/BRAKE PEDAL

ITEM NAME	PART NUMBER	QUANTITY
BAR-FOOTREST,L.H (Ref # 1)	34028-011	1
PIN-FOOTREST BAR FIT (Ref # 2)	92043-080	2
WASHER,PLAIN (Ref # 3)	92022-250	2
BRACKET,FOOTREST,L.H (Ref # 4)	34003-036	1
PIN COTTER 2.5X16 (Ref # 5)	550D2516	2
NUT,CAP AND LOCK,8MM (Ref # 6)	92019-013	4
CAP,FOOTRESTBAR (Ref # 7)	92102-010	4
STUD,FOOTREST BAR FI (Ref # 8)	92004-048	4
DAMPER RUBBER,FOOTRS (Ref # 9)	92075-140	4
SPRING,SIDE STAND (Ref # 10)	34025-005	1
BOLT-SIDE STAND (Ref # 11)	92003-079	1
STAND-SIDE (Ref # 12)	34024-065	1
NUT 10MM (Ref # 13)	315B1000	1
RUBBER,FOOTREST (Ref # 14)	92076-027	2
WASHER-PLAIN (OPT) (Ref # 15)	92022-199	2
PIN,COTTER,2.0X12 (Ref # 16)	550D2012	2
BRACKET,REAR FOOTRES (Ref # 17)	33028-011	2
PIN (Ref # 18)	92043-1464	2
NUT 10MM (Ref # 19)	315B1000	4
NUT-HEX-FINE,12MM (Ref # 20)	315B1200	2
BRACKET,FOOTREST,R.H (Ref # 21)	34003-037	1
BAR-FOOTREST,R.H (Ref # 22)	34028-012	1
PEDAL,BRAKE (Ref # 23)	43001-073	1
SPRING,BRAKE PEDAL (Ref # 24)	43005-039	1
PIN COTTER 1.6X10 (Ref # 25)	550D1610	1
HOOK,BRK LAMP SW SPR (Ref # 26)	27012-010	1