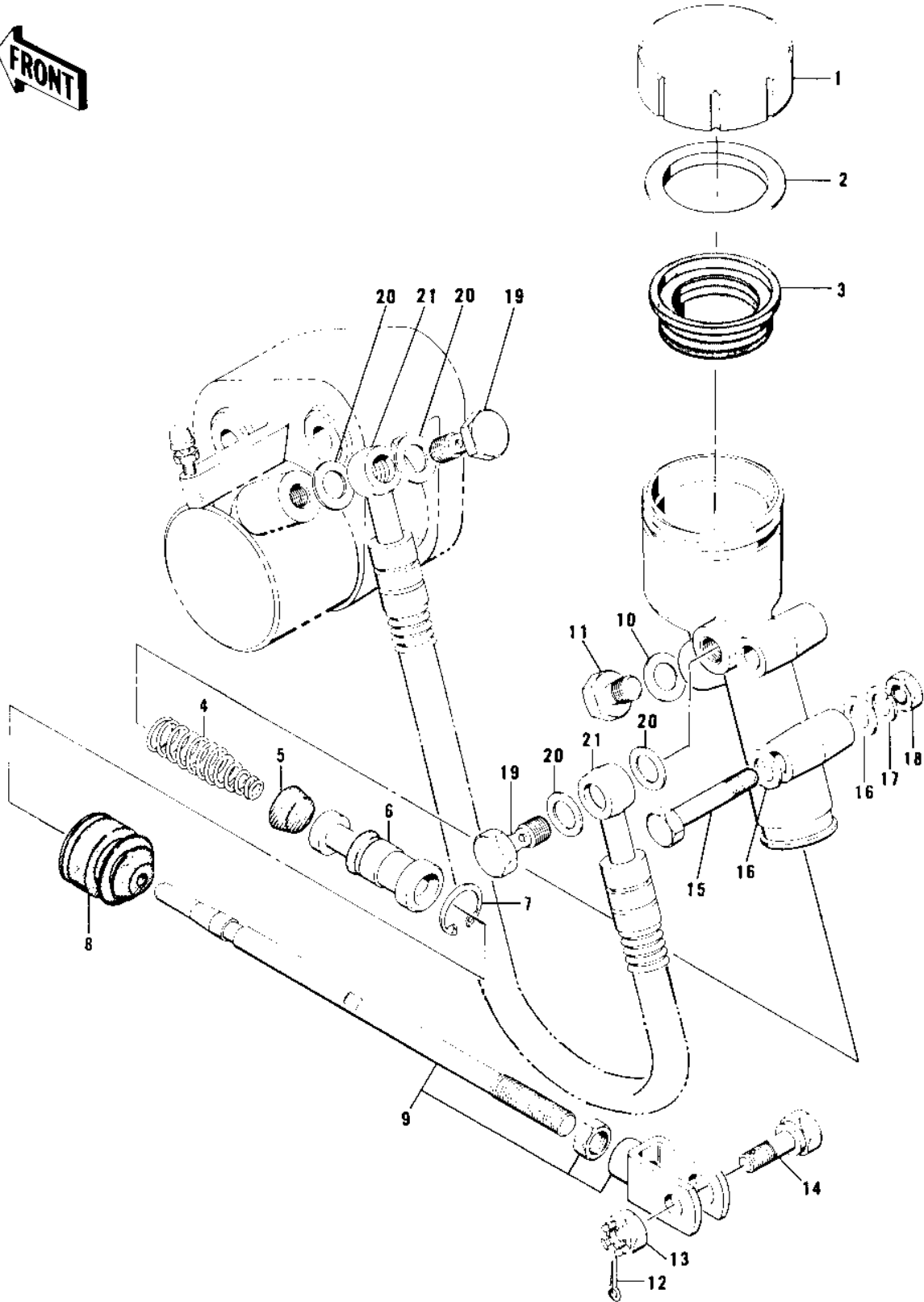


1976 LTD PARTS DIAGRAM

REAR MASTER CYLINDER



1976 LTD PARTS LIST

REAR MASTER CYLINDER

ITEM NAME	PART NUMBER	QUANTITY
CYLINDER ASSY,MASTER (Ref # 1-11)	43015-036	1
CAP,OIL CUP (Ref # 1)	43026-003	1
PLATE-MASTER CYLINDE (Ref # 2)	43027-001	1
DIAPHRAGM (Ref # 3)	43028-003	1
SPRING ASSY, RETURN (Ref # 4)	43018-002	1
CUP, PRIMARY (Ref # 5)	43019-002	1
PISTON ASSY (Ref # 6)	43072-004	1
CIRCLIP,20MM (Ref # 7)	481J2000	1
BOOTS (Ref # 8)	43024-002	1
ROD,BRAKE (Ref # 9)	43010-022	1
'O'RING (Ref # 10)	43079-002	1
BOLT (Ref # 11)	43070-003	1
PIN COTTER 2.0X20 (Ref # 12)	550D2020	1
NUT CASTLE (Ref # 13)	321B0800	1
BOLT,MASTER CYL ROD (Ref # 14)	92003-210	1
BOLT,10X45 (Ref # 15)	92001-1182	2
WASHER PLAIN 8MM (Ref # 16)	410B0800	2
WASHER SPRING 8MM (Ref # 17)	461F0800	2
NUT,8M/M (Ref # 18)	317B0800	2
BOLT,OIL,L=23 (Ref # 19)	92002-1888	2
WASHER-OIL BOLT (Ref # 20)	43067-001	4
HOSE,REAR BRAKE (Ref # 21)	43059-030	1