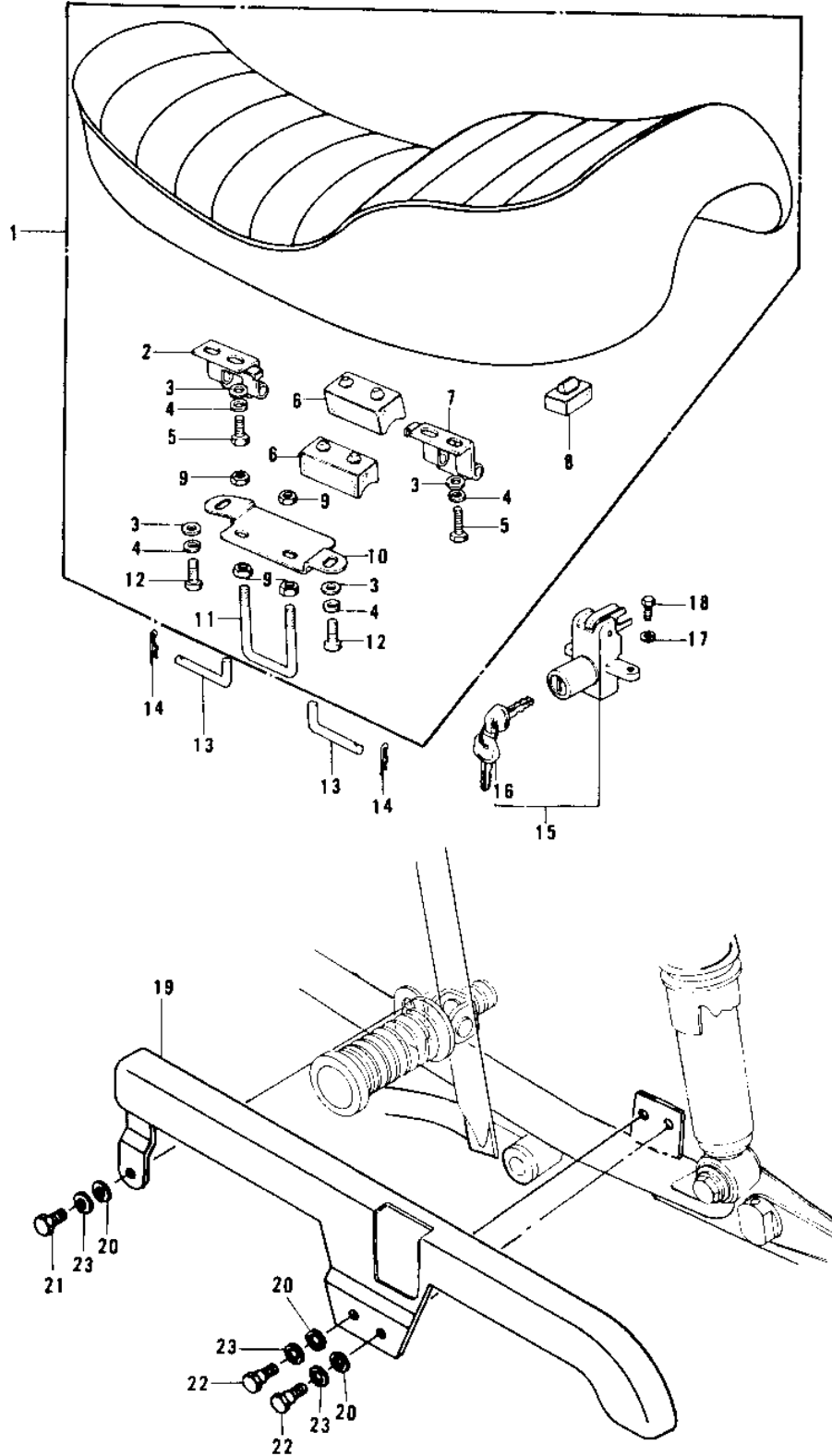


# 1976 LTD PARTS DIAGRAM

## SEAT/CHAIN COVER



## 1976 LTD PARTS LIST

### SEAT/CHAIN COVER

ITEM NAME	PART NUMBER	QUANTITY
SEAT,LTD 900/1000 (Ref # 1)	53001-130	1
HINGE,REAR (Ref # 2)	53009-030	1
WASHER PLAIN 6MM (Ref # 3)	411B0600	6
WASHER SPRING 6MM (Ref # 4)	461F0600	6
BOLT-UPSET,6X16 (Ref # 5)	112G0616	4
DAMPER RUBBER,SEAT (Ref # 6)	92075-139	3
HINGE,REAR (Ref # 7)	53009-032	1
DAMPER RUBBER (Ref # 8)	92075-099	1
NUT 6MM (Ref # 9)	311B0600	4
BRACKET,SEAT CATCH (Ref # 10)	53058-003	1
BRACKET,SEAT CATCH (Ref # 11)	53058-002	1
BOLT-UPSET 6X14 (Ref # 12)	112B0614	2
PIN,DUAL SEAT PIVOT (Ref # 13)	53011-008	2
COTTER PIN (Ref # 14)	92041-003	2
LOCK,SEAT (Ref # 15)	27030-005	1
WASHER SPRING 6MM (Ref # 17)	461F0600	1
BOLT-UPSET,6X12 (Ref # 18)	112G0612	1
CASE-CHAIN (Ref # 19)	36014-069	1
WASHER-PLAIN,6MM (Ref # 20)	411D0600	3
BOLT-HEX HEAD,6X16 (Ref # 21)	110N0616	1
BOLT-UPSET (Ref # 22)	112G0614	2
WASHER SPRING 8MM (Ref # 23)	461F0800	3