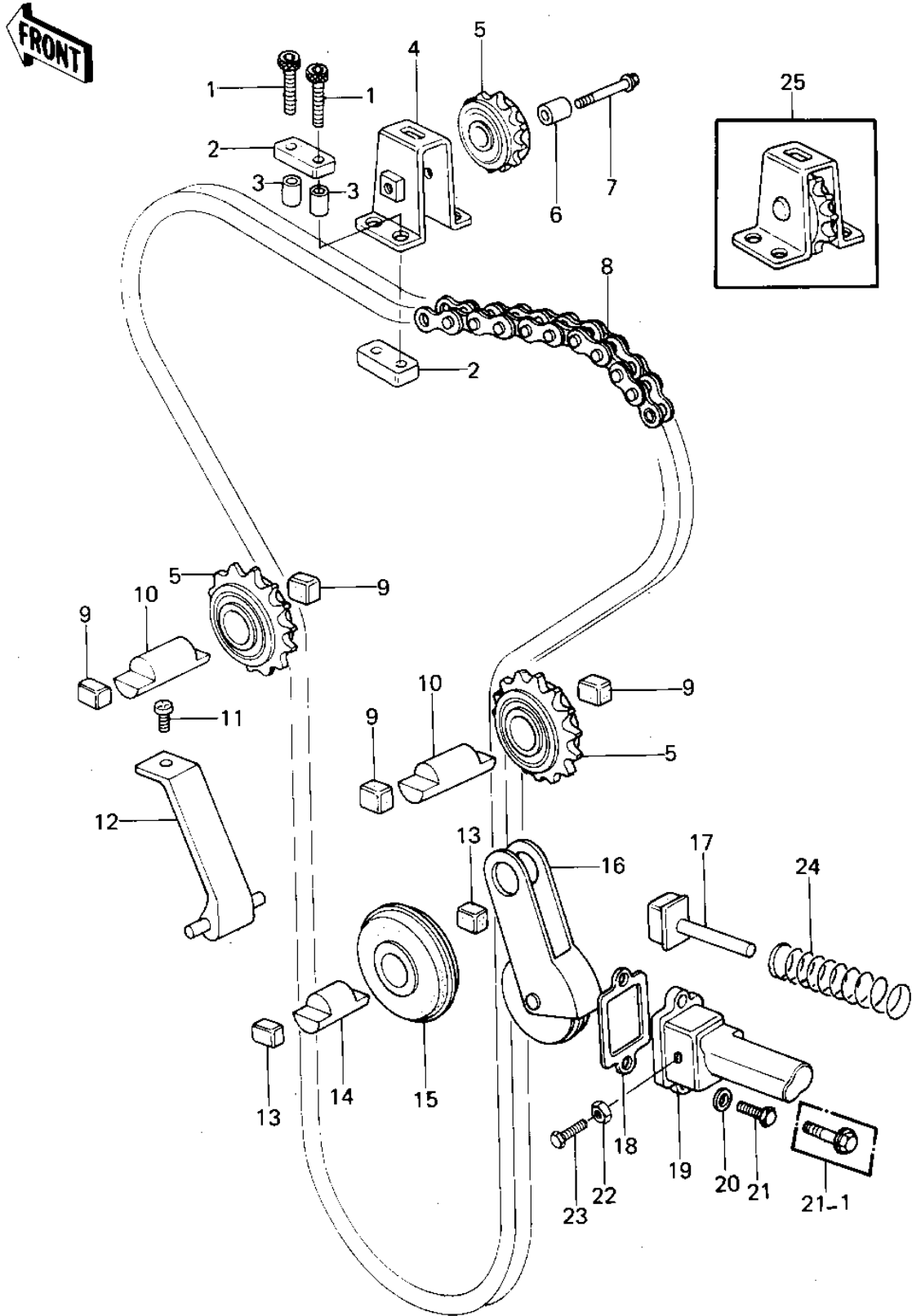


1977 KZ1000 PARTS DIAGRAM

CAM CHAIN/TENSIONER(77-78 A1/A2/A2A)



1977 KZ1000 PARTS LIST

CAM CHAIN/TENSIONER('77-'78 A1/A2/A2A)

| ITEM NAME | PART NUMBER | QUANTITY |
|---------------------------------|-------------|----------|
| BOLT,ALLEN,6X32 (Ref # 1) | 120Q0632 | 4 |
| DAMPER RUBBER (Ref # 2) | 92075-289 | 4 |
| COLLAR,8X15 (Ref # 3) | 92027-1079 | 4 |
| COLLAR,8X15 (Ref # 3) | 92027-1079 | 4 |
| DLER ASSY,CAM CHAIN (Ref # 4) | 12051-004 I | 1 |
| IDLER ASSY (Ref # 5) | 12057-002 | 3 |
| IDLER ASSY (Ref # 5) | 12057-002 | 2 |
| COLLAR,IDLER (Ref # 6) | 92027-261 | 1 |
| BOLT,FLANGED,6X25 (Ref # 7) | 92003-178 | 1 |
| CHAIN,CAM SHAFT (Ref # 8) | 21070-003 | 1 |
| RUBBER,GUIDE ROLLAR (Ref # 9) | 92075-232 | 4 |
| SHAFT,GUIDE ROLLER (Ref # 10) | 12052-005 | 2 |
| SCREW PAN HEAD 6X10 (Ref # 11) | 220B0610 | 1 |
| GUIDE,CAM CHAIN (Ref # 12) | 12053-019 | 1 |
| DAMPER RUBBER (Ref # 13) | 92075-123 | 2 |
| SHAFT,CAM CHAIN GUID (Ref # 14) | 12052-003 | 1 |
| ROLLER,CAM CHAIN GUI (Ref # 15) | 12055-002 | 1 |
| TENSIONER ASSY,CHAIN (Ref # 16) | 12048-001 | 1 |
| PUSH ROD,CAM CHAIN (Ref # 17) | 12054-001 | 1 |
| GASKET,TENSIONER (Ref # 18) | 11009-1038 | 1 |
| GASKET,TENSIONER (Ref # 18) | 11009-1038 | 1 |
| HOLDER,TENSIONER (Ref # 19) | 12049-1003 | 1 |
| HOLDER,TENSIONER (Ref # 19) | 12049-1003 | 1 |
| WASHER PLAIN 6MM (Ref # 20) | 410B0600 | 2 |
| BOLT-UPSET,6X20 (Ref # 21) | 110B0620 | 2 |
| BOLT,FLANGED,6X30 (Ref # 21-1) | 130G0630 | 2 |
| NUT 6MM (Ref # 22) | 311B0600 | 1 |
| BOLT,TENSIONER ADJUS (Ref # 23) | 92003-093 | 1 |
| SPRING,TENSTIONER (Ref # 24) | 92081-107 | 1 |