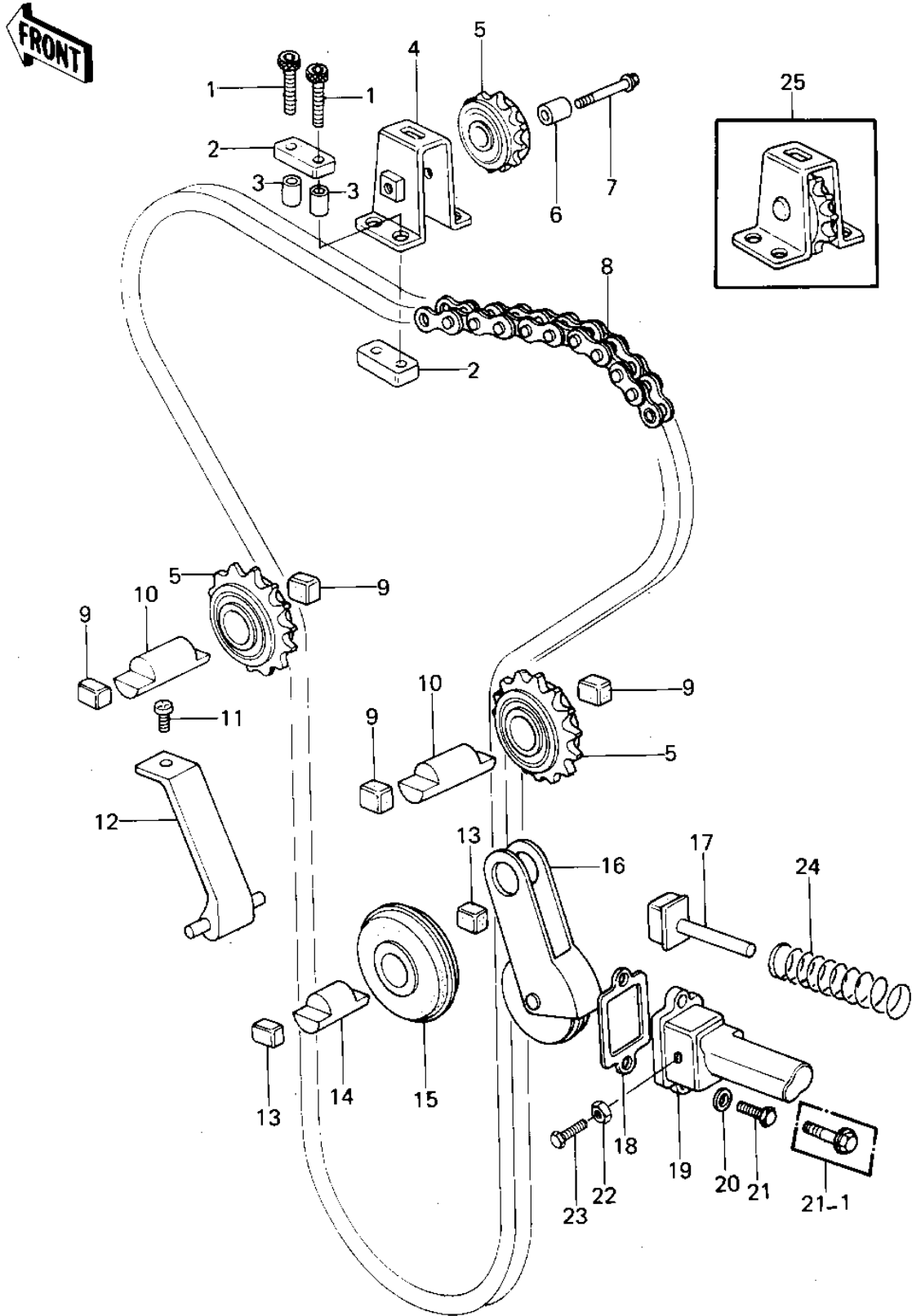


1978 KZ1000 PARTS DIAGRAM

CAM CHAIN/TENSIONER(77-78 A1/A2/A2A)



1978 KZ1000 PARTS LIST

CAM CHAIN/TENSIONER(77-78 A1/A2/A2A)

ITEM NAME	PART NUMBER	QUANTITY
BOLT,ALLEN,6X32 (Ref # 1)	120Q0632	4
DAMPER RUBBER (Ref # 2)	92075-289	4
COLLAR,8X15 (Ref # 3)	92027-1079	4
COLLAR,8X15 (Ref # 3)	92027-1079	4
DLER ASSY,CAM CHAIN (Ref # 4)	12051-004 I	1
IDLER ASSY (Ref # 5)	12057-002	3
IDLER ASSY (Ref # 5)	12057-002	2
COLLAR,IDLER (Ref # 6)	92027-261	1
BOLT,FLANGED,6X25 (Ref # 7)	92003-178	1
CHAIN,CAM SHAFT (Ref # 8)	21070-003	1
RUBBER,GUIDE ROLLAR (Ref # 9)	92075-232	4
SHAFT,GUIDE ROLLER (Ref # 10)	12052-005	2
SCREW PAN HEAD 6X10 (Ref # 11)	220B0610	1
GUIDE,CAM CHAIN (Ref # 12)	12053-019	1
DAMPER RUBBER (Ref # 13)	92075-123	2
SHAFT,CAM CHAIN GUID (Ref # 14)	12052-003	1
ROLLER,CAM CHAIN GUI (Ref # 15)	12055-002	1
TENSIONER ASSY,CHAIN (Ref # 16)	12048-001	1
PUSH ROD,CAM CHAIN (Ref # 17)	12054-001	1
GASKET,TENSIONER (Ref # 18)	11009-1038	1
GASKET,TENSIONER (Ref # 18)	11009-1038	1
HOLDER,TENSIONER (Ref # 19)	12049-1003	1
HOLDER,TENSIONER (Ref # 19)	12049-1003	1
WASHER PLAIN 6MM (Ref # 20)	410B0600	2
BOLT-UPSET,6X20 (Ref # 21)	110B0620	2
BOLT,FLANGED,6X30 (Ref # 21-1)	130G0630	2
NUT 6MM (Ref # 22)	311B0600	1
BOLT,TENSIONER ADJUS (Ref # 23)	92003-093	1
SPRING,TENSTIONER (Ref # 24)	92081-107	1