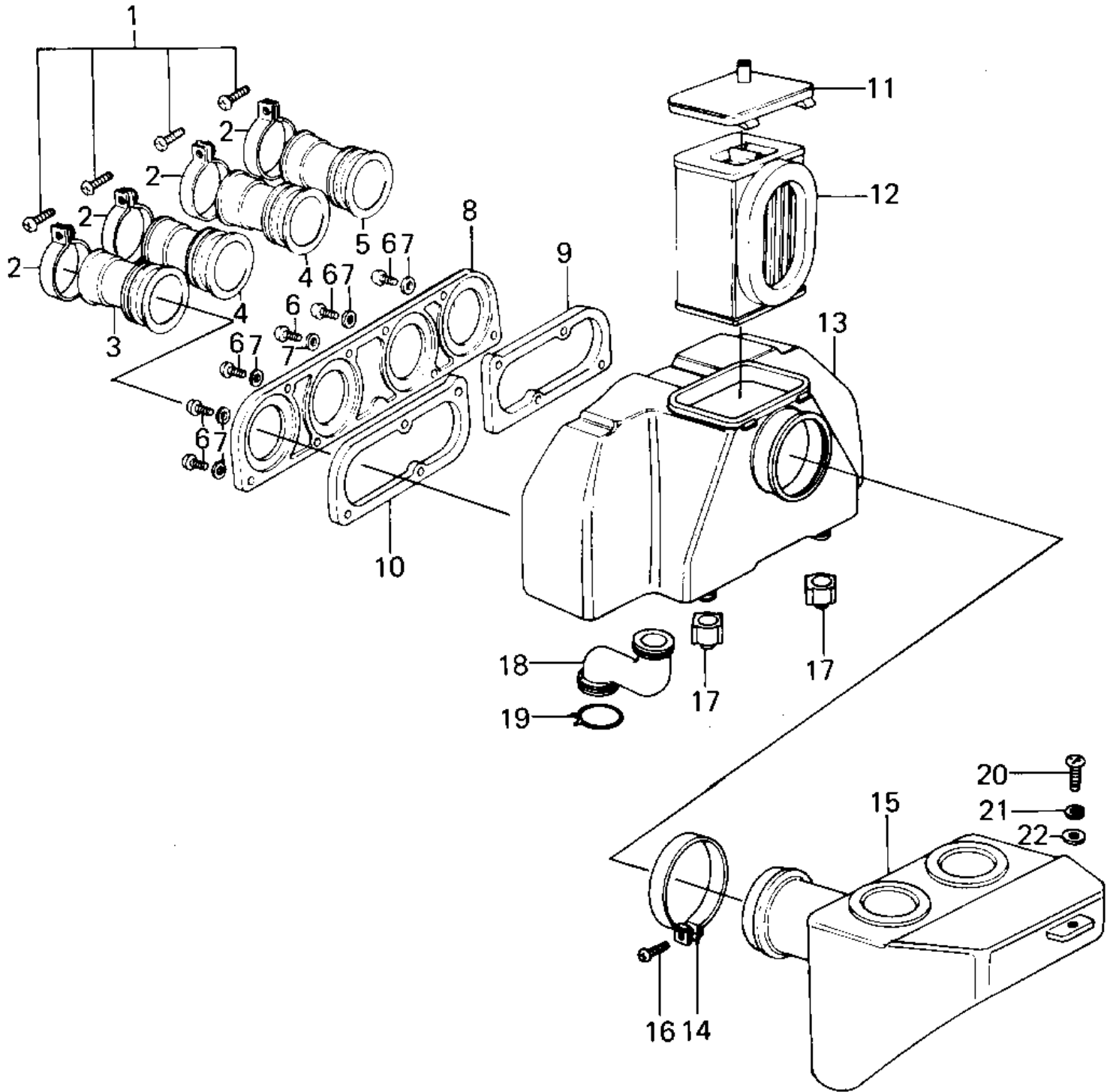


1978 KZ1000 PARTS DIAGRAM

AIR CLEANER (77-78 A1/A2/A2A)



1978 KZ1000 PARTS LIST

AIR CLEANER ('77-'78 A1/A2/A2A)

ITEM NAME	PART NUMBER	QUANTITY
SCREW,PAN HEAD (Ref # 1)	92011-037	4
CLAMP-INLET PIPE (Ref # 2)	92037-061	4
DUCT,AIR CLEANER,#1 (Ref # 3)	11015-053	1
DUCT,AIR CLEANER,#2, (Ref # 4)	11015-051	2
DUCT,AIR CLEANER,#4 (Ref # 5)	11015-050	1
SCREW PAN HEAD 4X16 (Ref # 6)	220B0416A	8
SCREW-PAN-CRSOSS,4X1 (Ref # 6)	220B0412A	8
WASHER PLAIN 4MM (Ref # 7)	410B0400	8
PLATE,CARBURETOR HOL (Ref # 8)	11040-001	1
PLATE,CARBURETOR HOL (Ref # 9)	11040-003	1
PLATE,CARBURETOR HOL (Ref # 10)	11040-002	1
CAP,AIR CLEANER (Ref # 11)	11012-1006	1
CAP,AIR CLEANER (Ref # 11)	11012-1006	1
ELEMENT,AIR CLNR (Ref # 12)	11013-063	1
BODY,AIR CLEANER (Ref # 13)	11011-065	1
BODY,AIR CLEANER (Ref # 13)	11011-1006	1
CLAMP (Ref # 14)	92037-106	1
SILENCER (Ref # 15)	11016-009	1
BOLT,5X50 (Ref # 16)	92011-036	1
CAP,DRAIN (Ref # 17)	11012-063	2
TUBE,DRAIN (Ref # 18)	92059-124	1
CLAMP BREATHER PIPE (Ref # 19)	92037-028	1
SCREW PAN HEAD 6X16 (Ref # 20)	220B0616	1
WASHER SPRING 6MM (Ref # 21)	461F0600	1
WASHER PLAIN 6MM (Ref # 22)	410B0600	1