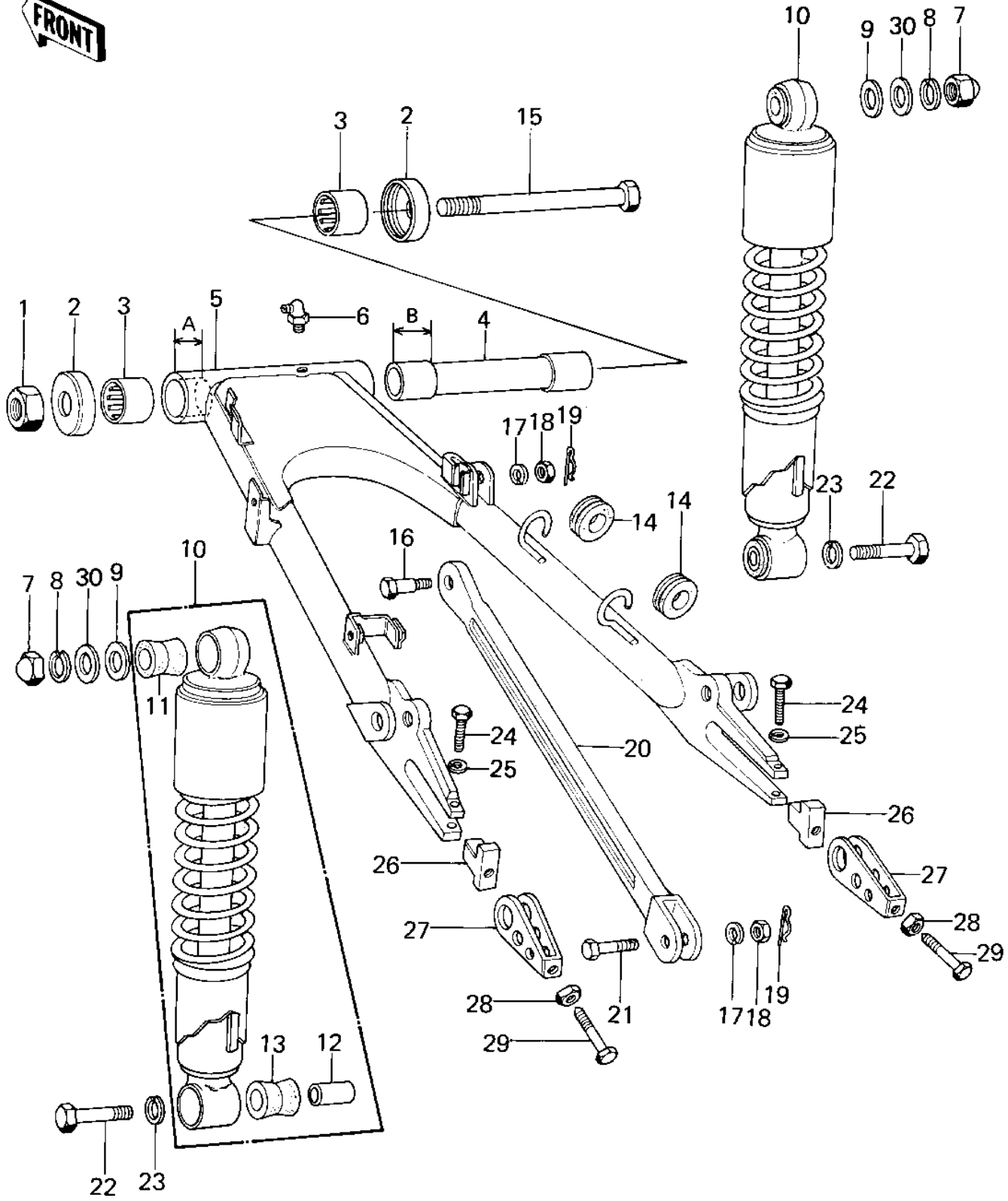


1977 KZ1000 PARTS DIAGRAM

SWING ARM/SHOCK ABSORBERS ('77-'78 A1/A2)



1977 KZ1000 PARTS LIST

SWING ARM/SHOCK ABSORBERS ('77-'78 A1/A2)

ITEM NAME	PART NUMBER	QUANTITY
NUT-SELF LOCKING (Ref # 1)	92019-012	1
CAP,SWING ARM (Ref # 2)	33035-009	2
BEARING-NEEDLE,HK221 (Ref # 3)	92046-1115	2
UNAVAILABLE IN PRICE BOOK (Ref # 3)	92046 061	4
SLEEVE,SWING ARM (Ref # 4)	33034-025	1
SLEEVE,SWING ARM (Ref # 4)	42036-1011	1
SWING ARM (Ref # 5)	33001-091	1
ARM,SWING (Ref # 5)	33001-1014	1
GREASE NIPPLE (Ref # 6)	92005-002	1
NUT 12MM (Ref # 7)	92020-014	2
WASHER SPRING 12MM (Ref # 8)	461F1200	2
WASHER PLAIN 12MM (Ref # 9)	410B1200	2
SHOCK ABSBR RR (Ref # 10)	45014-107	2
BUSHING,SHCK ABS RUB (Ref # 11)	45017-018	2
BUSH SHCK ABS PVT SF (Ref # 12)	45016-003	2
BUSHING,SHCK ABSORBE (Ref # 13)	45017-011	2
DAMPER RUBBER (Ref # 14)	43064-007	2
SHAFT,SWING ARM PIVO (Ref # 15)	33032-036	1
BOLT,HEX HEAD,10X39 (Ref # 16)	92003-218	1
WASHER SPRING 10MM (Ref # 17)	461F1000	2
NUT,10MM (Ref # 18)	314B1000	2
PIN,SNAP (Ref # 19)	554A0800	2
BOLT,10X47 (Ref # 21)	92001-1145	1
BOLT HEX HEAD 10X35 (Ref # 22)	113N1035	2
WASHER SPRING 10MM (Ref # 23)	461F1000	2
BOLT (Ref # 24*)	92001-1578	2
WASHER SPRING 8MM (Ref # 25*)	461F0800	2
STOPPER,CHAIN ADJUST (Ref # 26*)	33044-001	2
ADJUSTER,CHAIN (Ref # 27)	33040-066	2

1977 KZ1000 PARTS LIST

SWING ARM/SHOCK ABSORBERS ('77-'78 A1/A2)

ITEM NAME	PART NUMBER	QUANTITY
NUT 10MM (Ref # 28)	315B1000	2
UNAVAILABLE IN PRICE BOOK (Ref # 29)	92001 143	2
WASHER,PLAIN,12 X 22 (Ref # 30)	92022-1057	2