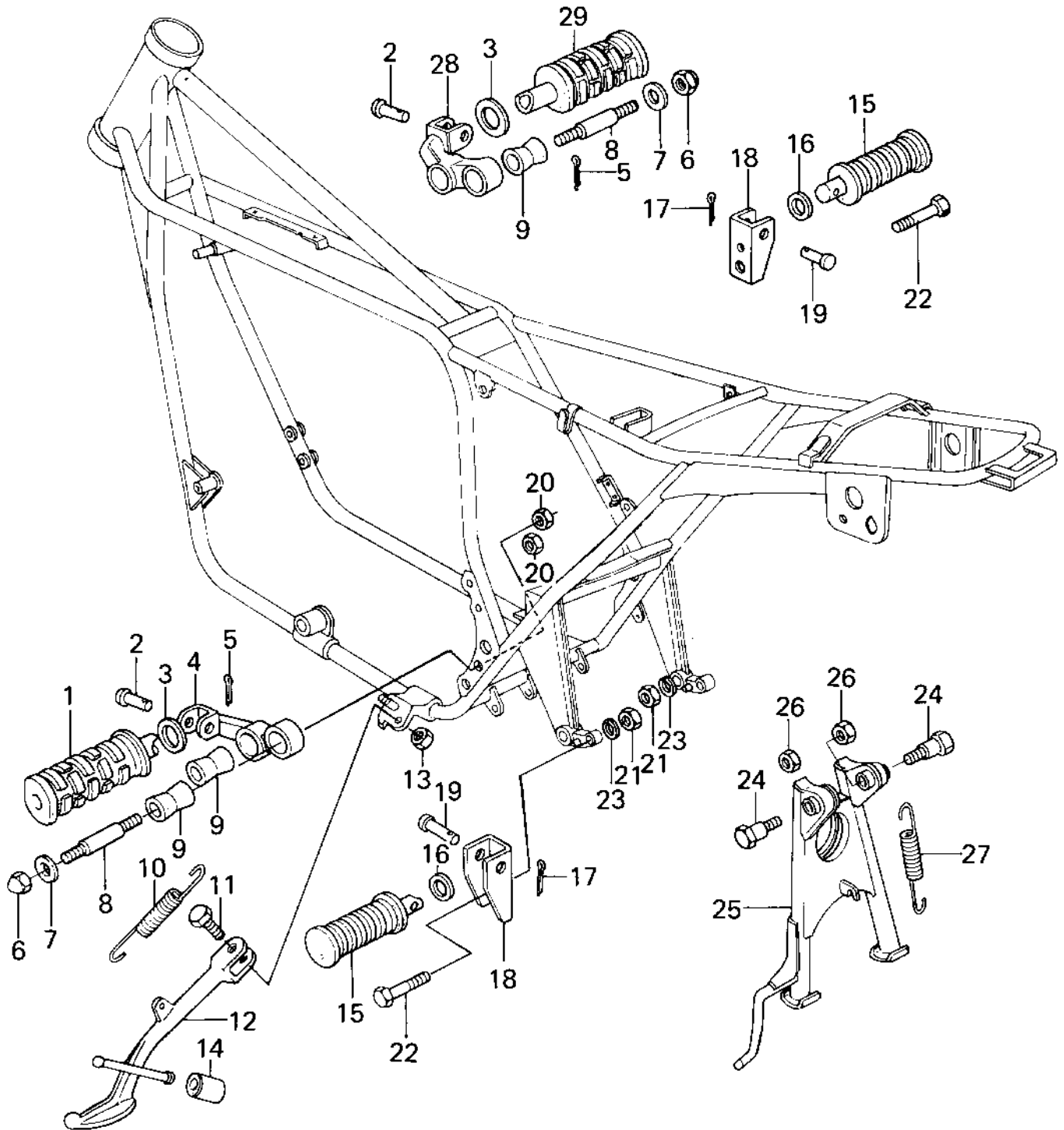


# 1978 KZ1000 PARTS DIAGRAM

FOOTRESTS/STANDS (77-78 A1/A2/A2A)



# 1978 KZ1000 PARTS LIST

## FOOTRESTS/STANDS ('77-'78 A1/A2/A2A)

ITEM NAME	PART NUMBER	QUANTITY
BAR-FOOTREST,L.H (Ref # 1)	34028-011	1
PIN-FOOTREST BAR FIT (Ref # 2)	92043-080	2
WASHER,PLAIN (Ref # 3)	92022-250	2
BRACKET,FOOTREST,L.H (Ref # 4)	34003-036	1
NUT,CAP AND LOCK,8MM (Ref # 5)	92019-013	4
NUT,CAP AND LOCK,8MM (Ref # 6)	92019-013	4
CAP,FOOTRESTBAR (Ref # 7)	92102-010	4
STUD,FOOTREST BAR FI (Ref # 8)	92004-048	4
DAMPER RUBBER,FOOTRS (Ref # 9)	92075-140	4
SPRING,SIDE STAND (Ref # 10)	34025-005	1
BOLT-SIDE STAND (Ref # 11)	92003-079	1
STAND-SIDE (Ref # 12)	34024-1038	1
NUT 10MM (Ref # 13)	315B1000	1
DAMPER RUBB SIDE STN (Ref # 14)	92075-031	1
RUBBER,FOOTREST (Ref # 15)	92076-027	2
WASHER-PLAIN (OPT) (Ref # 16)	92022-199	2
PIN,COTTER,2.0X12 (Ref # 17)	550D2012	2
BRACKET,STEP (Ref # 18)	32054-1021	2
PIN (Ref # 19)	92043-1464	2
NUT 10MM (Ref # 20)	315B1000	4
NUT 10MM (Ref # 20)	315B1000	4
NUT,10MM (Ref # 21)	314B1000	2
BOLT,10X28 (Ref # 22)	113G1028	2
WASHER SPRING 10MM (Ref # 23)	461F1000	2
SHAFT MAIN STAND (Ref # 24)	34019-014	2
STAND-MAIN (Ref # 25)	34011-1015	1
NUT,MAIN STAND FITT (Ref # 26)	92016-044	2
SPRING,MAIN STAND (Ref # 27)	34023-012	1
BRACKET,FOOTREST,R.H (Ref # 28)	34003-037	1