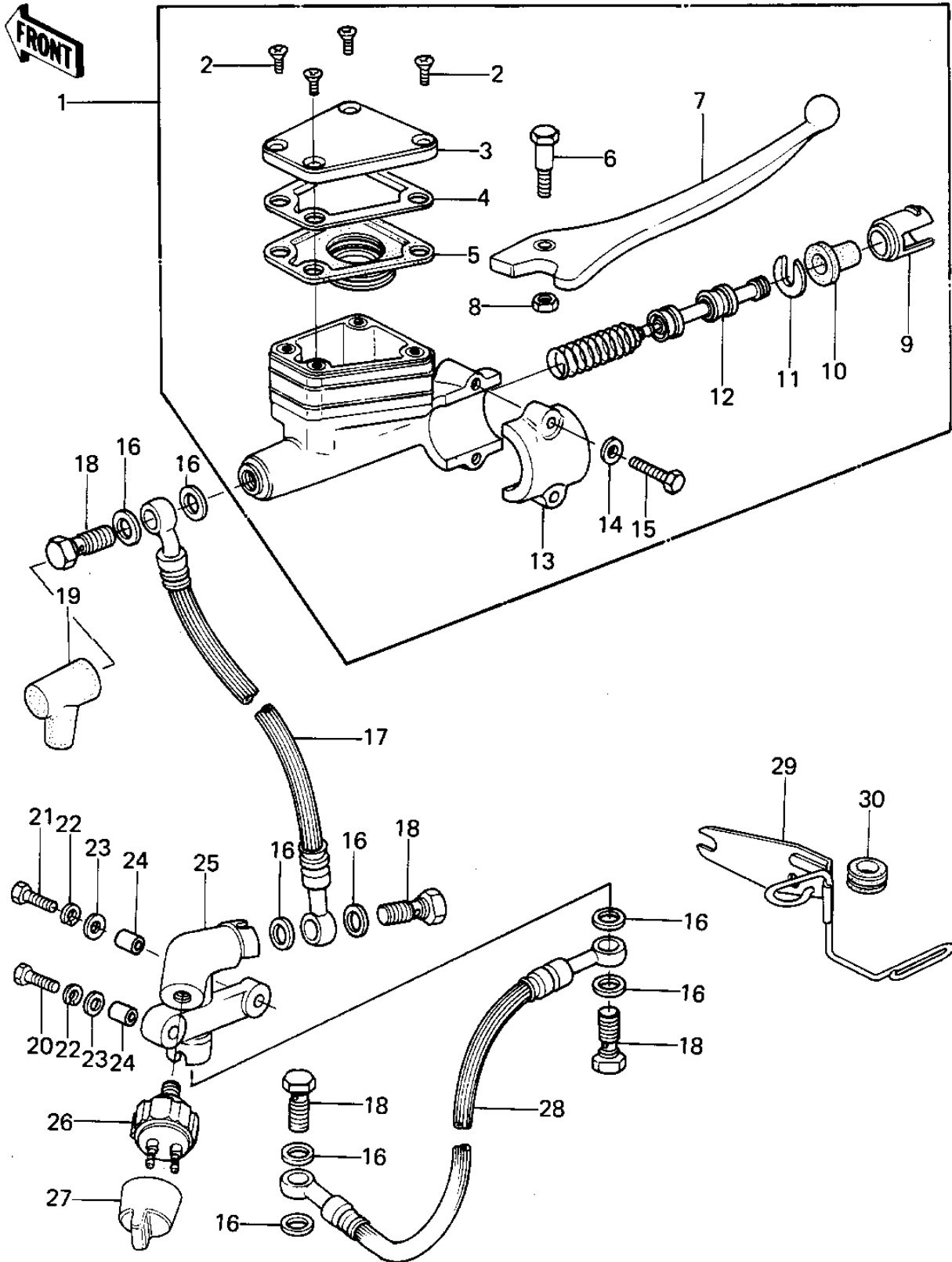


1977 KZ1000 PARTS DIAGRAM

FRONT MASTER CYLINDER (KZ1000-A2/A2A)



1977 KZ1000 PARTS LIST

FRONT MASTER CYLINDER (KZ1000-A2/A2A)

| ITEM NAME | PART NUMBER | QUANTITY |
|---------------------------------|-------------|----------|
| CYLINDER ASSY,MASTER (Ref # 1) | 43015-1007 | 1 |
| SCREW,COUNTERSUNK HE (Ref # 2) | 92001-1055 | 4 |
| CAP,OIL CUP (Ref # 3) | 43026-1003 | 1 |
| PLATE,DIAPHRAGM (Ref # 4) | 43027-1002 | 1 |
| DIAPHRAGM (Ref # 5) | 43028-1002 | 1 |
| BOLT,CLUTCH LEV FITT (Ref # 6) | 92001-1056 | 1 |
| LEVER,FRONT BRAKE (Ref # 7) | 46092-1002 | 1 |
| NUT 6MM (Ref # 8) | 312B0600 | 1 |
| LINER,PISTON (Ref # 9) | 14008-1007 | 1 |
| DUST COVER (Ref # 10) | 49016-1010 | 1 |
| STOPER,PISTON (Ref # 11) | 43022-1001 | 1 |
| PISTON ASSY (Ref # 12) | 43020-1002 | 1 |
| HOLDER,MASTER CYLIND (Ref # 13) | 43034-1001 | 1 |
| WASHER PLAIN 6MM (Ref # 14) | 411B0600 | 2 |
| BOLT HEX HEAD 6X25 (Ref # 15) | 110N0625 | 2 |
| WASHER-OIL BOLT (Ref # 16) | 43067-001 | 8 |
| HOSE,FRONT BRAKE (Ref # 17) | 43059-007 | 1 |
| BOLT,OIL,L=23 (Ref # 18) | 92002-1888 | 1 |
| BOOT,DUST (Ref # 19) | 49006-1041 | 1 |
| BOLT,HEX HEAD,6X45 (Ref # 20) | 110N0645 | 1 |
| BOLT HEX HEAD 6X36 (Ref # 21) | 110N0636 | 1 |
| WASHER SPRING 6MM (Ref # 22) | 461F0600 | 2 |
| WASHER PLAIN 6MM (Ref # 23) | 411B0600 | 2 |
| COLLAR (Ref # 24) | 92027-241 | 2 |
| JOINT,THREE WAY (Ref # 25) | 43061-002 | 1 |
| SWITCH-FRONT BRAKE (Ref # 26) | 43065-001 | 1 |
| CAP,FRONT BRK SWITCH (Ref # 27) | 11012-1037 | 1 |
| HOSE,CALIPER BRAKE (Ref # 28) | 43059-033 | 1 |
| BRACKET (Ref # 29) | 11034-1041 | 1 |