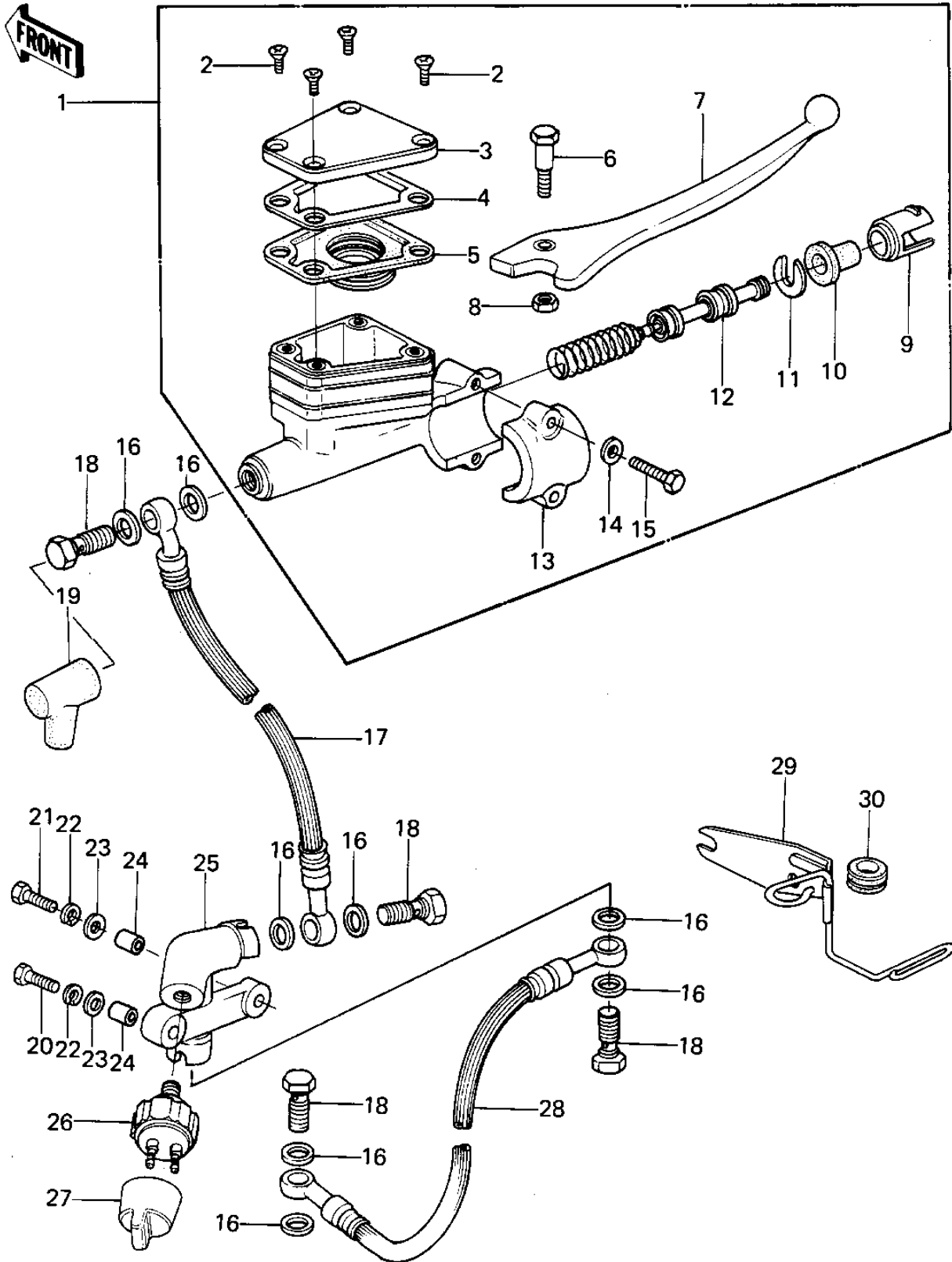


# 1978 KZ1000 PARTS DIAGRAM

FRONT MASTER CYLINDER (KZ1000-A2/A2A)



# 1978 KZ1000 PARTS LIST

## FRONT MASTER CYLINDER (KZ1000-A2/A2A)

| ITEM NAME                       | PART NUMBER | QUANTITY |
|---------------------------------|-------------|----------|
| CYLINDER ASSY,MASTER (Ref # 1)  | 43015-1007  | 1        |
| SCREW,COUNTERSUNK HE (Ref # 2)  | 92001-1055  | 4        |
| CAP,OIL CUP (Ref # 3)           | 43026-1003  | 1        |
| PLATE,DIAPHRAGM (Ref # 4)       | 43027-1002  | 1        |
| DIAPHRAGM (Ref # 5)             | 43028-1002  | 1        |
| BOLT,CLUTCH LEV FITT (Ref # 6)  | 92001-1056  | 1        |
| LEVER,FRONT BRAKE (Ref # 7)     | 46092-1002  | 1        |
| NUT 6MM (Ref # 8)               | 312B0600    | 1        |
| LINER,PISTON (Ref # 9)          | 14008-1007  | 1        |
| DUST COVER (Ref # 10)           | 49016-1010  | 1        |
| STOPER,PISTON (Ref # 11)        | 43022-1001  | 1        |
| PISTON ASSY (Ref # 12)          | 43020-1002  | 1        |
| HOLDER,MASTER CYLIND (Ref # 13) | 43034-1001  | 1        |
| WASHER PLAIN 6MM (Ref # 14)     | 411B0600    | 2        |
| BOLT HEX HEAD 6X25 (Ref # 15)   | 110N0625    | 2        |
| WASHER-OIL BOLT (Ref # 16)      | 43067-001   | 8        |
| HOSE,FRONT BRAKE (Ref # 17)     | 43059-007   | 1        |
| BOLT,OIL,L=23 (Ref # 18)        | 92002-1888  | 1        |
| BOOT,DUST (Ref # 19)            | 49006-1041  | 1        |
| BOLT,HEX HEAD,6X45 (Ref # 20)   | 110N0645    | 1        |
| BOLT HEX HEAD 6X36 (Ref # 21)   | 110N0636    | 1        |
| WASHER SPRING 6MM (Ref # 22)    | 461F0600    | 2        |
| WASHER PLAIN 6MM (Ref # 23)     | 411B0600    | 2        |
| COLLAR (Ref # 24)               | 92027-241   | 2        |
| JOINT,THREE WAY (Ref # 25)      | 43061-002   | 1        |
| SWITCH-FRONT BRAKE (Ref # 26)   | 43065-001   | 1        |
| CAP,FRONT BRK SWITCH (Ref # 27) | 11012-1037  | 1        |
| HOSE,CALIPER BRAKE (Ref # 28)   | 43059-033   | 1        |
| BRACKET (Ref # 29)              | 11034-1041  | 1        |