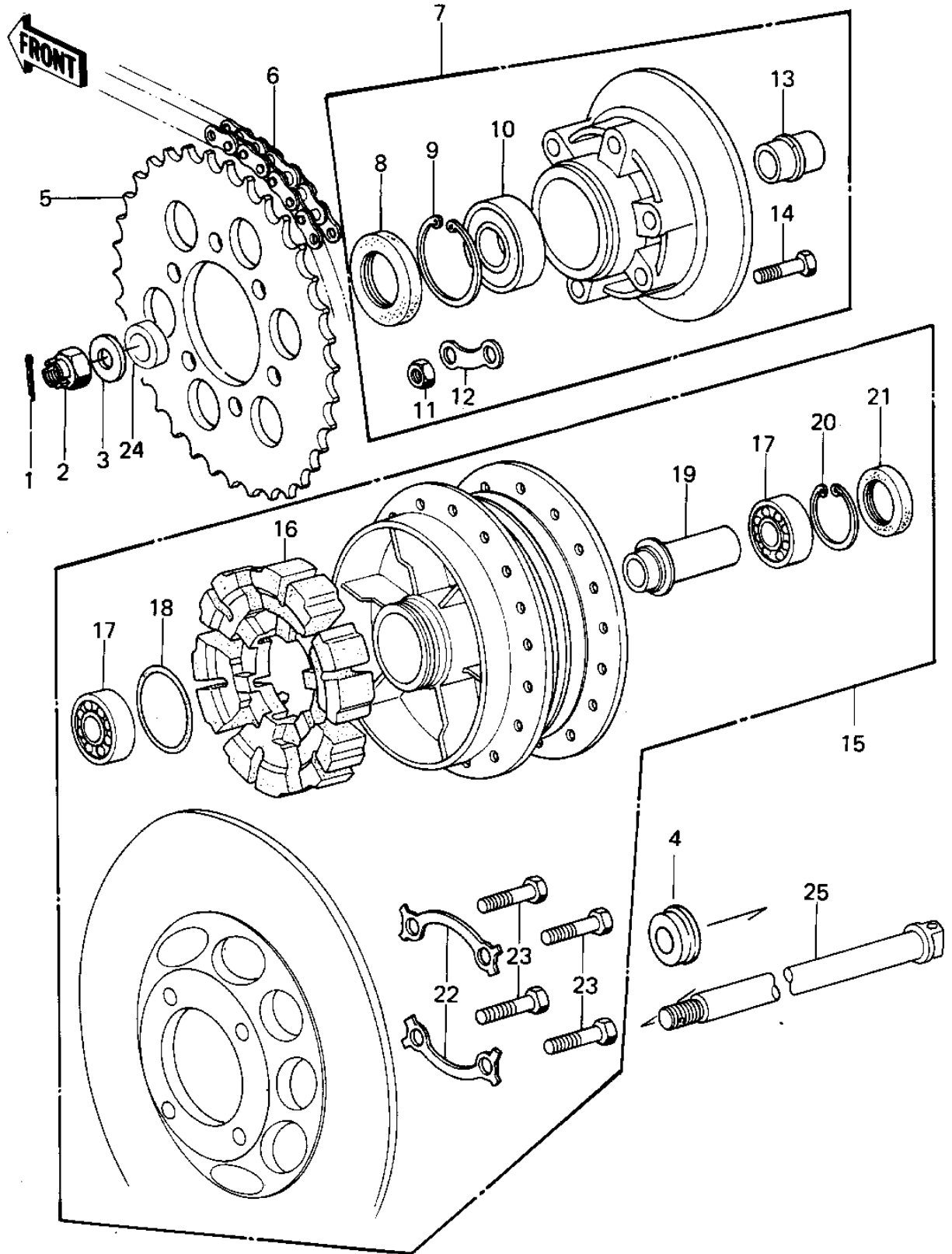


1978 KZ1000 PARTS DIAGRAM

REAR HUB/CHAIN ('77-'78 A1/A2/A2A)



1978 KZ1000 PARTS LIST

REAR HUB/CHAIN ('77-'78 A1/A2/A2A)

ITEM NAME	PART NUMBER	QUANTITY
PIN-COTTER,4.0X35 (Ref # 1)	550D4035	1
NUT CASTLE,18MM (Ref # 2)	42045-018	1
WASHER,PLAIN,20MM (Ref # 3)	92022-248	1
COLLAR,REAR AXLE (Ref # 4)	42032-070	1
REAR SPROCKET,33T (Ref # 5)	42041-1010	1
DR CHAIN 630X92 (Ref # 6)	92057-107	1
COUPLING ASSY,REAR H (Ref # 7)	42008-034	1
OIL SEAL (Ref # 8)	92050-027	1
CIRCLIP,62M/M (Ref # 9)	92033-1044	1
BALL BEARING,#6206 (Ref # 10)	601B6206	1
NUT 10MM (Ref # 11)	42045-005	6
WASHER LOCK (Ref # 12)	92088-007	3
SLEEVE (Ref # 13)	42036-024	1
BOLT,TORQUE ROD FRON (Ref # 14)	92001-1208	6
DRUM ASSY,REAR BRAKE (Ref # 15)	42005-053	1
SHOCK DAMPER,REAR HU (Ref # 16)	42014-028	1
BEARING BALL #6304 (Ref # 17)	601B6304	2
"O" RING,60MM (Ref # 18)	671B2560	1
COLLAR,BRG (Ref # 19)	42010-030	1
RING,SNAP,56.2M/M (Ref # 20)	92033-1043	1
OIL SEAL WTC35527 (Ref # 21)	92052-006	1
WASHER,LOCK (Ref # 22)	92088-023	2
BOLT (Ref # 23)	92001-158	4
COLLAR,REAR AXLE (Ref # 24)	42032-071	1
AXLE,REAR (Ref # 25)	42031-034	1