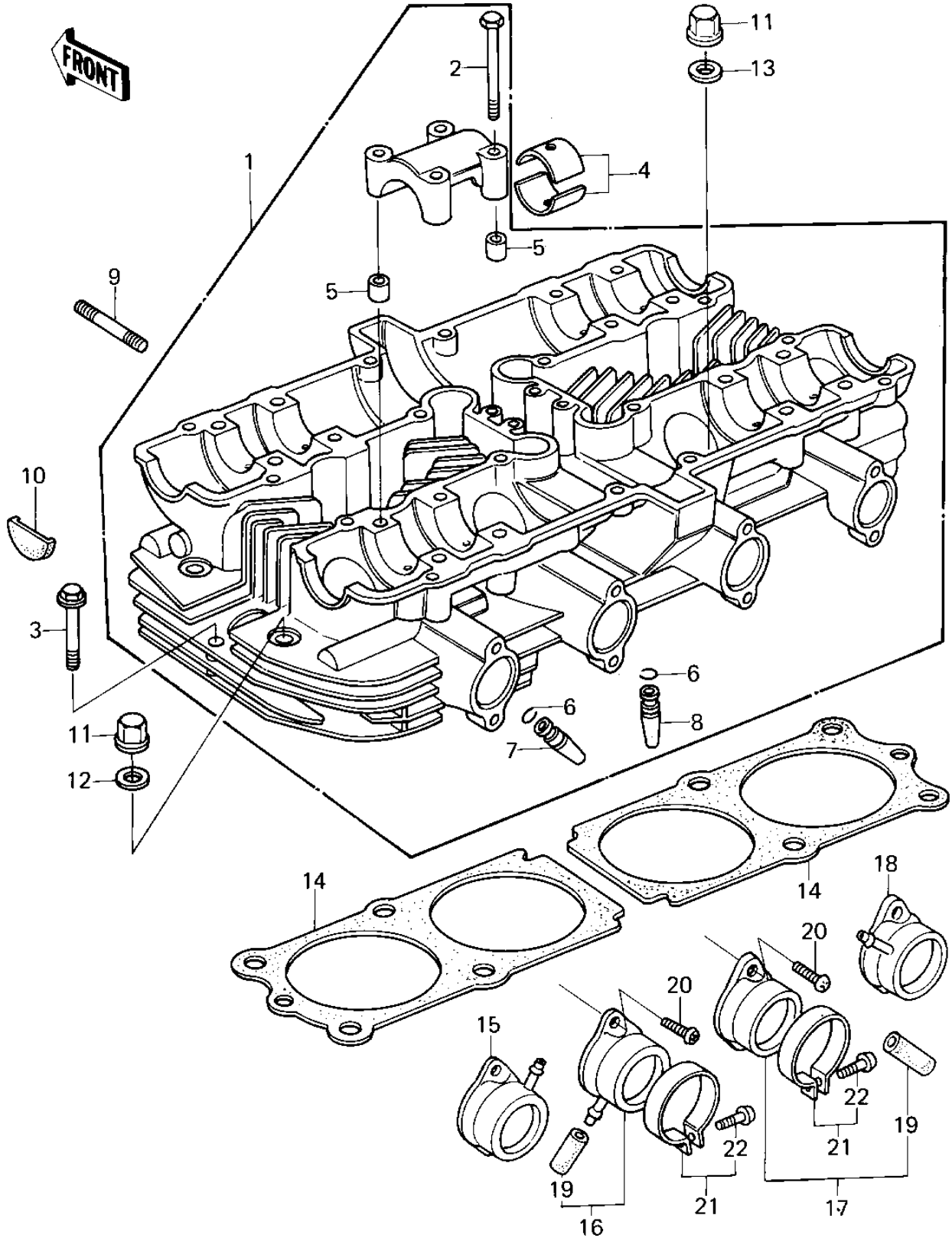


1979 KZ1000 PARTS DIAGRAM

CYLINDER HEAD (79-'80 A3/A3A/A4)



1979 KZ1000 PARTS LIST

CYLINDER HEAD ('79-'80 A3/A3A/A4)

| ITEM NAME | PART NUMBER | QUANTITY |
|---------------------------------|-------------|----------|
| BOLT,6X43 (Ref # 2) | 92002-1881 | 16 |
| BOLT,HEX HEAD,6X45 (Ref # 3) | 92003-092 | 2 |
| BUSHING,CAMSHAFT (Ref # 4) | 13034-030 | 16 |
| PIN-DOWEL (Ref # 5) | 92042-007 | 8 |
| CIRCLIP-VALVE (Ref # 6) | 92036-023 | 8 |
| GUIDE,INLET VALVE (Ref # 7) | 12013-009 | 4 |
| GUIDE,EXHAUST VALVE (Ref # 8) | 49002-1002 | 4 |
| STUD,8X30 (Ref # 9) | 92004-1069 | 8 |
| PLUG,CAM SHAFT (Ref # 10) | 92066-017 | 4 |
| NUT,CYLINDER HEAD (Ref # 11) | 92015-076 | 12 |
| WASHER,PLAIN,10MM (Ref # 12) | 92022-215 | 4 |
| WASHER PLAIN 10MM (Ref # 13) | 411B1000 | 8 |
| GASKET,CYLINDER HEAD (Ref # 14) | 11004-076 | 2 |
| HOLDER,CARBURETOR,L. (Ref # 16) | 16065-029 | 2 |
| HOLDER-R.H CARBRETOR (Ref # 17) | 16065-028 | 2 |
| RUBBER PLUG (Ref # 19) | 92068-006 | 4 |
| SCREW PAN HEAD 6X18 (Ref # 20) | 220B0618 | 8 |
| CLAMP,HOLDER (Ref # 21) | 92037-077 | 4 |
| SCREW,PAN HEAD (Ref # 22) | 92011-037 | 4 |