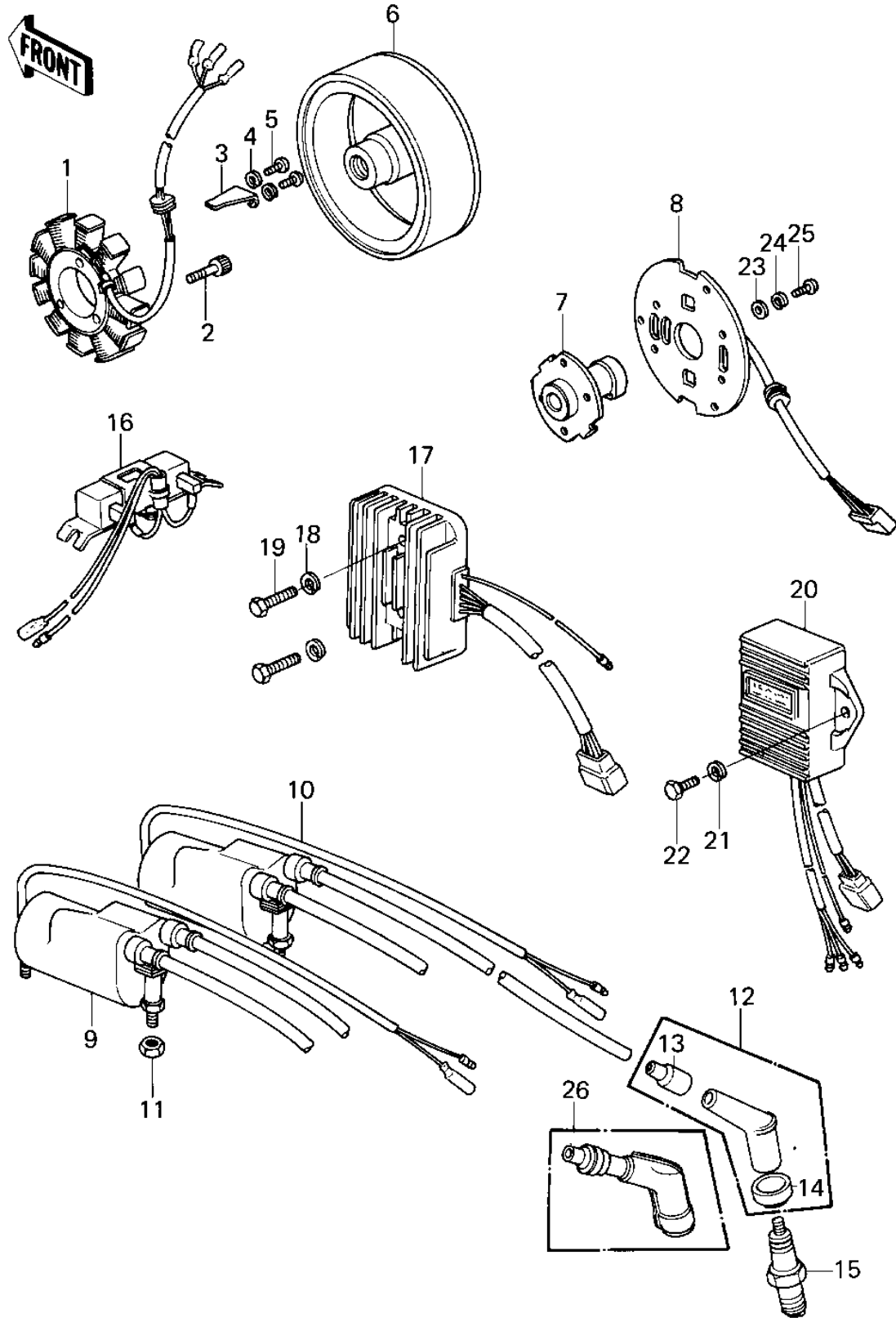


# 1979 KZ1000 PARTS DIAGRAM

IGNITION/GENERATOR/REGULATOR ('79-'80 A3)



# 1979 KZ1000 PARTS LIST

IGNITION/GENERATOR/REGULATOR ('79-'80 A3)

| ITEM NAME                              | PART NUMBER | QUANTITY |
|--|-------------|----------|
| STATOR ASSY (Ref # 1)                  | 21003-1015  | 1        |
| BOLT,SOCKET,5X25 (Ref # 2)             | 120P0525A   | 3        |
| CLAMP,GENERATOR WIRE (Ref # 3)         | 92037-1122  | 1        |
| WASHER SPRING 5MM (Ref # 4)            | 461F0500    | 2        |
| SCREW PAN HEAD 5X12 (Ref # 5)          | 220B0512    | 2        |
| ROTOR (Ref # 6)                        | 21007-1011  | 1        |
| ADVANCER ASSY,SPARK (Ref # 7)          | 21148-1009  | 1        |
| ADVANCER ASSY SPARK (Canada) (Ref # 7) | 21148-1006  | 1        |
| COIL-PULSING (Ref # 8)                 | 59026-1012  | 1        |
| COIL,IGNITION,NO.1&4 (Ref # 9)         | 21121-1013  | 1        |
| COIL,IGNITION,NO.2&3 (Ref # 10)        | 21121-1014  | 1        |
| NUT,LOCK 6MM (Ref # 11)                | 92017-014   | 4        |
| CAP SPARK PLUG (Ref # 12)              | 21160-1014  | 4        |
| GROMMET,SPARK PLG CA (Ref # 13)        | 21132-005   | 4        |
| GROMMET-PLUG CAP,A (Ref # 14)          | 21131-004   | 4        |
| SPARK PLUG B8ES (Ref # 15)             | B8ES        | 4        |
| RESISTOR ASSY (Ref # 16)               | 28018-1018  | 1        |
| REGULATOR,VOLTAGE (Ref # 17)           | 21066-1008  | 1        |
| WASHER SPRING 6MM (Ref # 18)           | 461F0600    | 2        |
| BOLT-UPSET (Ref # 19)                  | 112G0625    | 2        |
| IGNITER (Ref # 20)                     | 21119-5001  | 1        |
| IGNITER (Ref # 20)                     | 21119-5001  | 1        |
| WASHER SPRING 6MM (Ref # 21)           | 461F0600    | 2        |
| BOLT-UPSET,6X16 (Ref # 22)             | 112G0616    | 2        |
| WASHER PLAIN 5MM (Ref # 23)            | 410B0500    | 3        |
| WASHER SPRING 5MM (Ref # 24)           | 461F0500    | 3        |
| SCREW PAN HEAD 5X12 (Ref # 25)         | 220B0512    | 3        |
| CAP,SPARK PLUG (Ref # 26)              | 21160-005   | 4        |