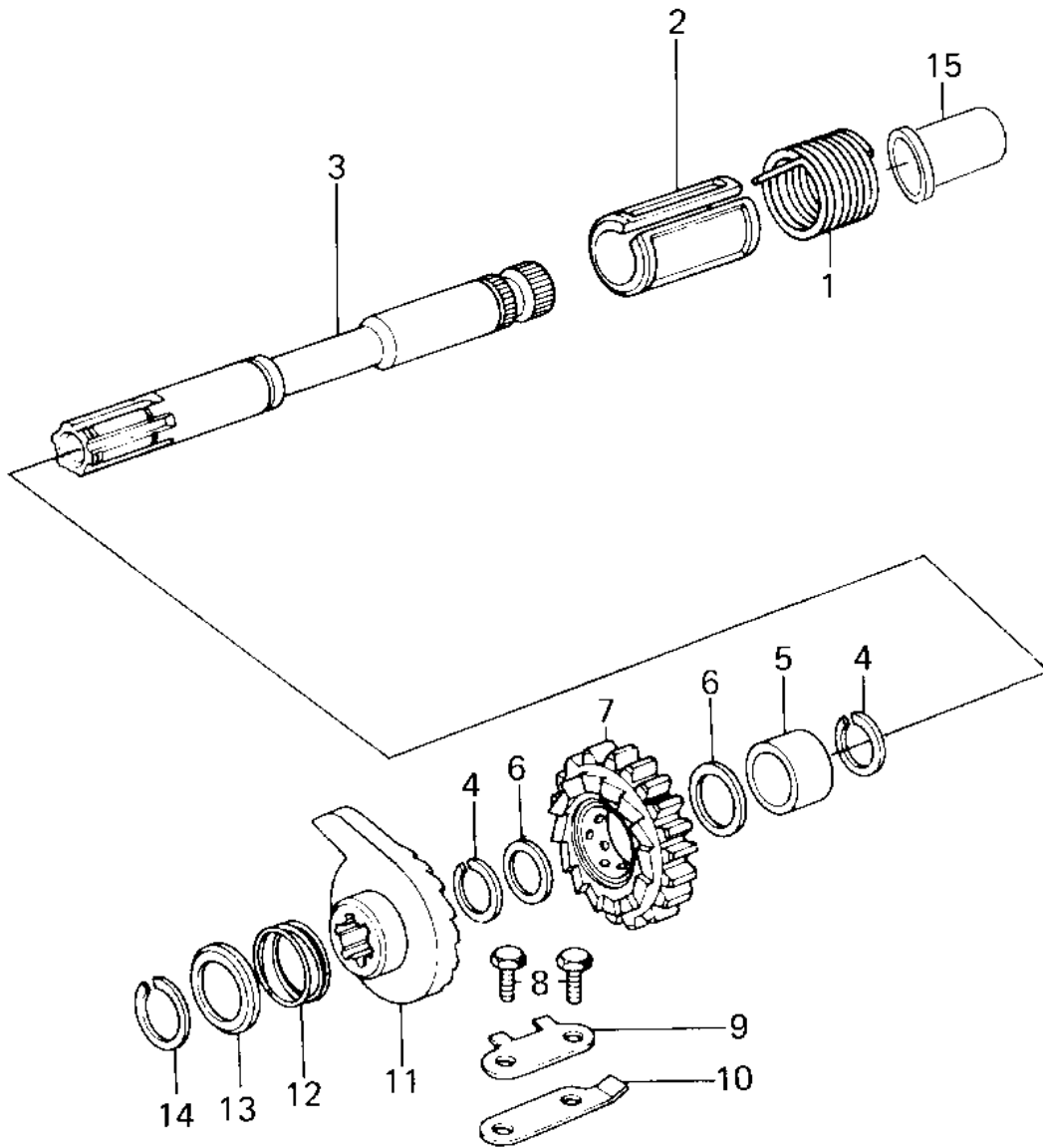


1978 Z1R PARTS DIAGRAM

KICKSTARTER MECHANISM ('78 D1)



1978 Z1R PARTS LIST

KICKSTARTER MECHANISM ('78 D1)

ITEM NAME	PART NUMBER	QUANTITY
SPRING,KICKSTARTER (Ref # 1)	92082-004	1
GUID,KICK SHAFT (Ref # 2)	13070-005	1
SHAFT,KICKSTARTER (Ref # 3)	13066-1004	1
CIRCLIP,25MM (Ref # 4)	92033-025	2
COLLAR,KICKSHAFT (Ref # 5)	92028-126	1
WASHER,PLAIN,22MM (Ref # 6)	92022-207	2
GEAR,KICKSTARTER (Ref # 7)	59051-1006	1
BOLT-UPSET (Ref # 8)	112G0614	2
WASHER-LOCK (Ref # 9)	92024-036	AR
STOPPER,KICKSTARTER (Ref # 10)	13072-012	1
RATCHET,KICK SHAFT (Ref # 11)	13078-011	1
SPRING RATCHET (Ref # 12)	92081-104	1
CAP,KICKSTARTER (Ref # 13)	92102-008	1
CIRCLIP,19MM (Ref # 14)	480J1900	1
PLUG (Ref # 15)	92074-037	1