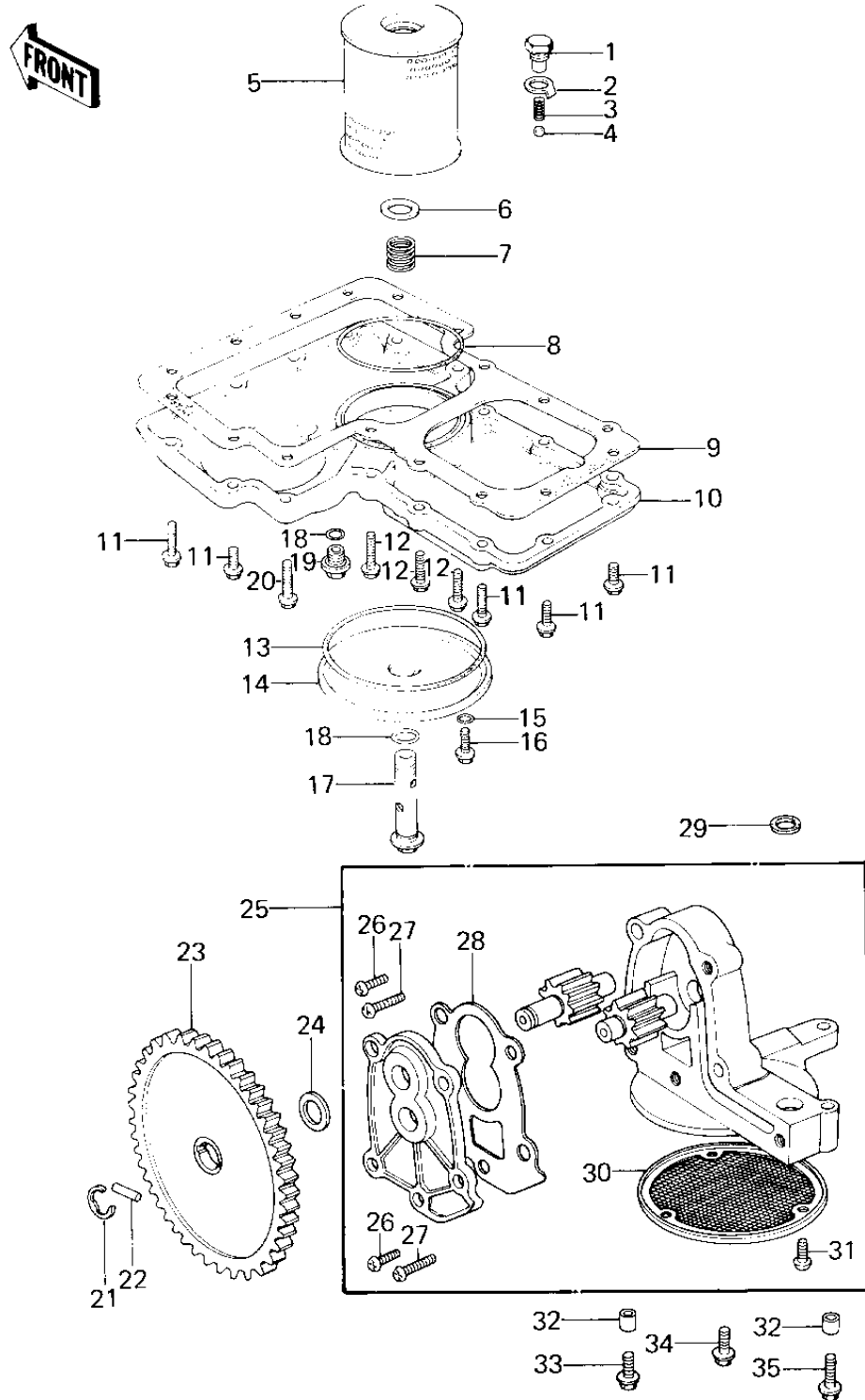


# 1978 Z1R PARTS DIAGRAM

OIL PAN/OIL PUMP/OIL FILTER ('78 D1)



# 1978 Z1R PARTS LIST

## OIL PAN/OIL PUMP/OIL FILTER ('78 D1)

| ITEM NAME                       | PART NUMBER | QUANTITY |
|---------------------------------|-------------|----------|
| BOLT (Ref # 1)                  | 92003-095   | 1        |
| WASHER,LOCK (Ref # 2)           | 92024-048   | 1        |
| SPRING (Ref # 3)                | 92081-109   | 1        |
| BALL STEEL 3/8' (Ref # 4)       | 600A1200    | 1        |
| ELEMENT,OIL FILTER (Ref # 5)    | 16099-002   | 1        |
| WASHER,20.5X30X1.0 (Ref # 6)    | 92022-1012  | 1        |
| SPRING,OIL FILTER (Ref # 7)     | 92081-1018  | 1        |
| "O" RING,91MM (Ref # 8)         | 92055-052   | 1        |
| GASKET,OIL PAN (Ref # 9)        | 11060-1074  | 1        |
| PAN-OIL (Ref # 10)              | 49034-5020  | 1        |
| BOLT,FLANGED,6X25 (Ref # 11)    | 130G0625    | 13       |
| BOLT, HEX HEAD, 6X34 (Ref # 12) | 92003-159   | 3        |
| "O" RING,105MM (Ref # 13)       | 671B25105   | 1        |
| COVER,OIL FILTER (Ref # 14)     | 14025-1112  | 1        |
| "O" RING,8MM (Ref # 15)         | 670B1508    | 1        |
| PLUG,OIL DRAIN (Ref # 16)       | 92066-024   | 1        |
| BOLT,OIL FILTER (Ref # 17)      | 92001-1074  | 1        |
| "O" RING,22MM (Ref # 18)        | 670B2022    | 2        |
| PLUG,OIL DRAIN (Ref # 19)       | 92001-1183  | 1        |
| BOLT-FLANGED,6X50 (Ref # 20)    | 130G0650    | 1        |
| CIRCLIP,7MM (Ref # 21)          | 482K7000    | 1        |
| PIN,DOWEL,3X14 (Ref # 22)       | 551A0314    | 1        |
| GEAR,OIL PUMP 49T (Ref # 23)    | 16085-019   | 1        |
| WASHER,LOCK,16MM (Ref # 24)     | 92026-080   | 1        |
| PUMP-ASSY-OIL (Ref # 25)        | 16082-5001  | 1        |
| SCREW PAN HEAD 6X18 (Ref # 26)  | 220B0618    | 4        |
| SCREW PAN HEAD 6X28 (Ref # 27)  | 220B0628    | 2        |
| GASKET,OIL PUMP (Ref # 28)      | 11009-1029  | 1        |
| O RING,0.D=18MM (Ref # 29)      | 92055-048   | 1        |

# 1978 Z1R PARTS LIST

OIL PAN/OIL PUMP/OIL FILTER ('78 D1)

| ITEM NAME                     | PART NUMBER | QUANTITY |
|-------------------------------|-------------|----------|
| STRAINER,OIL PUMP (Ref # 30)  | 16111-004   | 1        |
| SCREW PAN HEAD 5X8 (Ref # 31) | 220B0508    | 3        |
| PIN,DOWEL,8X10 (Ref # 32)     | 92043-1302  | 2        |
| BOLT,HEX HEAD,6X35 (Ref # 33) | 92001-164   | 1        |
| BOLT,FLANGED,6X22 (Ref # 34)  | 92001-1352  | 1        |
| BOLT,HEX HEAD,6X45 (Ref # 35) | 92001-165   | 1        |