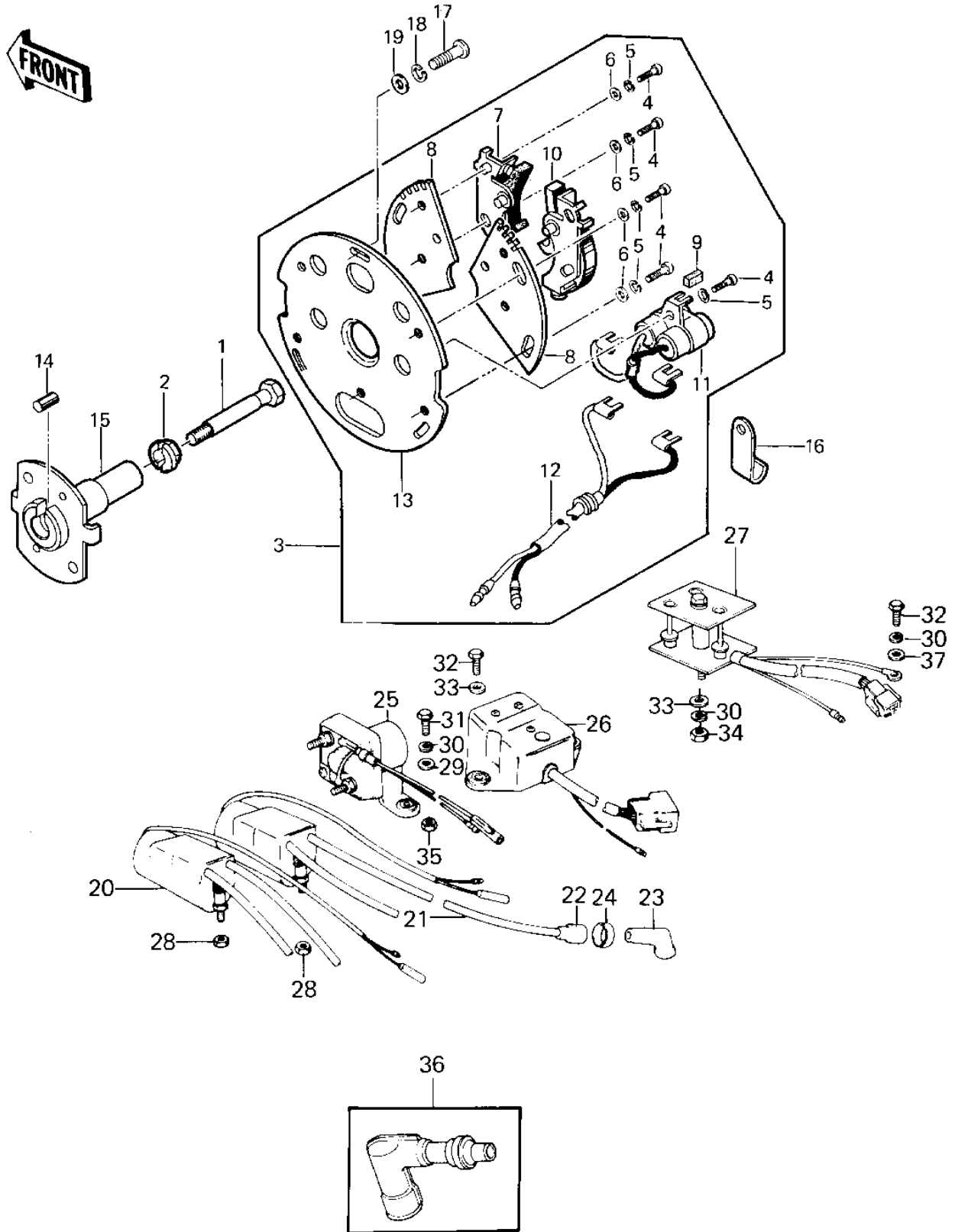


1978 Z1R PARTS DIAGRAM

IGNITION/REGULATOR/RECTIFIER ('78 D1)



1978 Z1R PARTS LIST

IGNITION/REGULATOR/RECTIFIER ('78 D1)

ITEM NAME	PART NUMBER	QUANTITY
BOLT,SPARK ADVANCER (Ref # 1)	92001-113	1
WASHER,SPARK ADVANCE (Ref # 2)	92022-244	1
BREAKER,CONTACT (Ref # 3)	21135-011	1
SCREW PAN HEAD 4X8 (Ref # 4)	220B0408	9
WASHER SPRING 4MM (Ref # 5)	461F0400	9
WASHER PLAIN 4MM (Ref # 6)	410B0400	9
BREAKER,CONTACT (Ref # 7)	21008-028	1
PLATE,CONTACT BREAKER (Ref # 8)	21156-010	2
FELT OIL (Ref # 9)	21019-005	1
BREAKER,CONTACT (Ref # 10)	21008-027	1
CONDENSER (Ref # 11)	21013-035	1
WIRING HARNESS,BRAKE (Ref # 12)	21029-037	1
PLATE,CONTACT BREAKER (Ref # 13)	21021-004	1
PIN-SPRING,4X8 (Ref # 14)	555A0408	1
ADVANCER ASSY,SPARK (Ref # 15)	21148-1003	1
CLAMP,WIRING HARNESS (Ref # 16)	21126-008	4
SCREW PAN HEAD 5X12 (Ref # 17)	220B0512	3
WASHER SPRING 5MM (Ref # 18)	461F0500	3
WASHER PLAIN 5MM (Ref # 19)	411B0500	3
IGNITION COIL (Ref # 20)	21121-1003	1
COIL,IGNITION,#2&3 (Ref # 21)	21121-1004	1
GROMMET,HIGH TENSION (Ref # 22)	21131-005	4
CAP SPARK PLUG (Ref # 23)	21160-1014	4
GROMMET,PLUG CAP (Ref # 24)	21131-006	4
SWITCH ASSY,MAGNETIC (Ref # 25)	27010-1023	1
REGULATOR (Ref # 26)	21066-025	1
SET,RECTIFIER (Ref # 27)	99996-1159	1
NUT,LOCK 6MM (Ref # 28)	92017-014	3
WASHER 6.5X22X1.6T (Ref # 29)	92022-237	2

1978 Z1R PARTS LIST

IGNITION/REGULATOR/RECTIFIER ('78 D1)

ITEM NAME	PART NUMBER	QUANTITY
WASHER SPRING 6MM (Ref # 30)	461F0600	4
BOLT-UPSET,6X20 (Ref # 31)	112G0620	2
BOLT-UPSET,6X12 (Ref # 32)	112G0612	3
WASHER PLAIN 6MM (Ref # 33)	410B0600	3
NUT 6MM (Ref # 34)	311B0600	1
NUT,LOCK 6MM (Ref # 35)	92017-014	2
CAP,SPARK PLUG (Ref # 36)	21160-005	1
WASHER PLAIN 4MM (Ref # 37)	410B0400	1