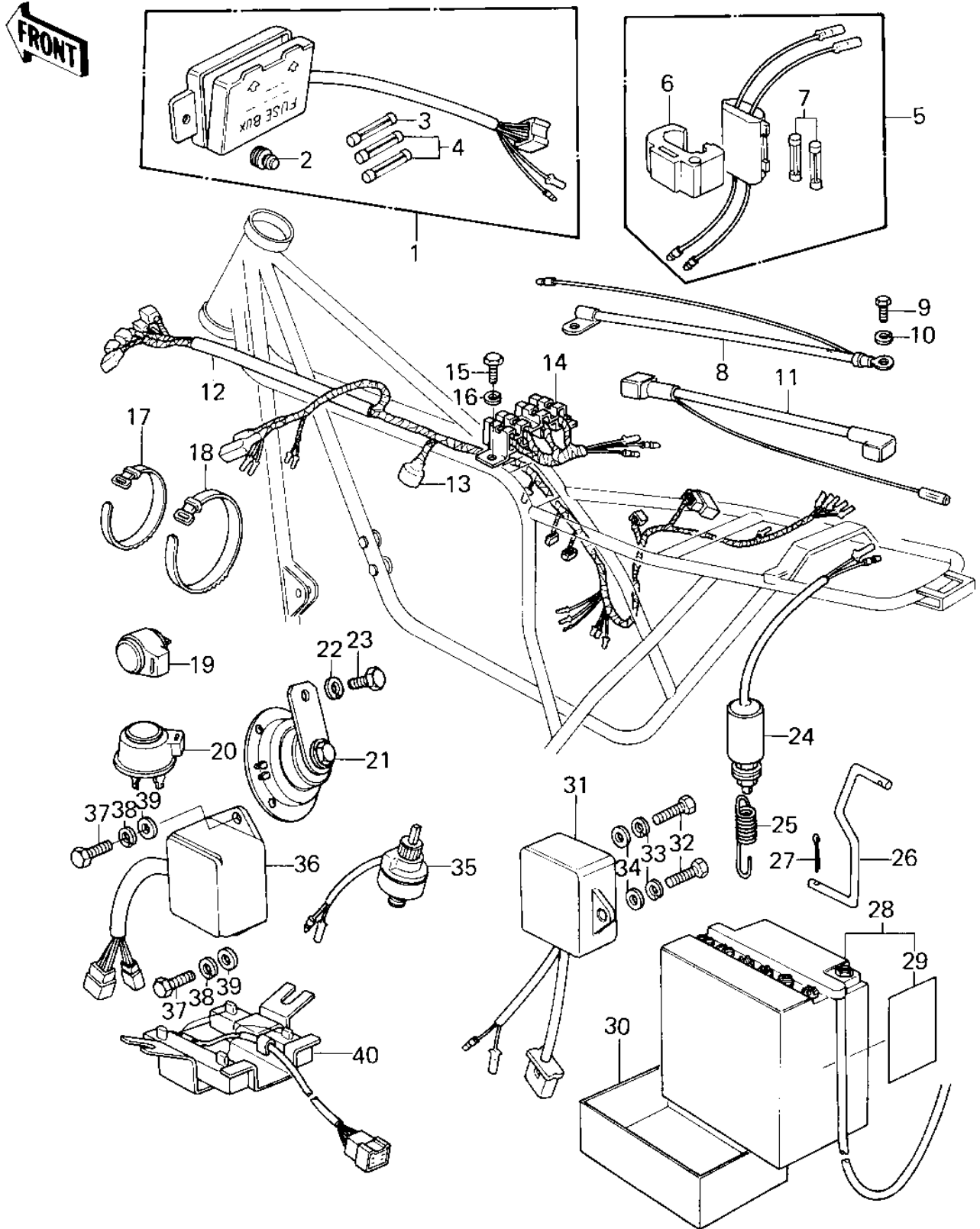


1978 Z1R PARTS DIAGRAM

CHASSIS ELECTRICAL EQUIPMENT (78 D1)



1978 Z1R PARTS LIST

CHASSIS ELECTRICAL EQUIPMENT (78 D1)

ITEM NAME	PART NUMBER	QUANTITY
FUSE ASSY (Ref # 1)	26004-1002	1
DAMPER RUBBER,FUSE (Ref # 2)	92075-279	1
FUSE-20A (Ref # 3)	26006-005	2
FUSE 10A (Ref # 4)	26006-003	3
FUSE ASSY (Ref # 5)	26004-1003	3
DAMPER RUBBER (Ref # 6)	92075-1044	1
FUSE 2A, (Ref # 7)	26006-1001	3
WIRE,BATTERY GROUND (Ref # 8)	26010-054	1
BOLT,HEX HEAD,6MM (Ref # 9)	92001-137	1
WASHER SPRING 6MM (Ref # 10)	461F0600	1
WIRE,STARTER LEAD (Ref # 11)	26011-1018	1
WIRING HARNESS,MAIN (Ref # 12)	26001-1038	1
COVER WIRING HARNESS (Ref # 13)	26009-003	1
WIRING HARNESS,CENTE (Ref # 14)	26001-1039	1
BOLT-UPSET,6X12 (Ref # 15)	112G0612	2
WASHER SPRING 6MM (Ref # 16)	461F0600	2
BAND,SHORT (Ref # 17)	92072-030	4
BAND,WIRING HARNESS (Ref # 18)	92072-056	7
RELAY-TURN SIGNAL (Ref # 19)	27002-011	1
RELAY,TURN SIGNAL (Ref # 20)	27002-016	1
HORN (Ref # 21)	27003-1006	1
WASHER SPRING 8MM (Ref # 22)	461F0800	1
BOLT-SMALL-UPSET,8X1 (Ref # 23)	115G0816	1
SWITCH-BRAKE LAMP (Ref # 24)	27010-017	1
SPRING BRAKE LAMP SW (Ref # 25)	27011-009	1
HOOK,BRK LAMP SW SPR (Ref # 26)	27012-010	1
PIN COTTER 1.6X10 (Ref # 27)	550D1610	1
YUA BAT YB14L-A2 (Ref # 28)	26012-1008	1
LABEL-WARNING,BATTER (Ref # 29)	56040-1036	1

1978 Z1R PARTS LIST

CHASSIS ELECTRICAL EQUIPMENT (78 D1)

ITEM NAME	PART NUMBER	QUANTITY
CASE,BATTERY (Ref # 30)	32099-015	1
SWITCH,TURN SIGNAL O (Ref # 31)	27010-1016	1
BOLT-UPSET,6X20 (Ref # 32)	112G0620	2
WASHER SPRING 6MM (Ref # 33)	461F0600	2
WASHER PLAIN 6MM (Ref # 34)	411B0600	2
SWITCH,COMBINATION (Ref # 35)	27010-1017	1
SWITCH,RESERVE LAMP (Ref # 36)	27010-1007	1
BOLT-UPSET,6X16 (Ref # 37)	112G0616	2
WASHER SPRING 6MM (Ref # 38)	461F0600	2
WASHER PLAIN 6MM (Ref # 39)	410B0600	1
RESISTOR (Ref # 40)	28018-1005	1