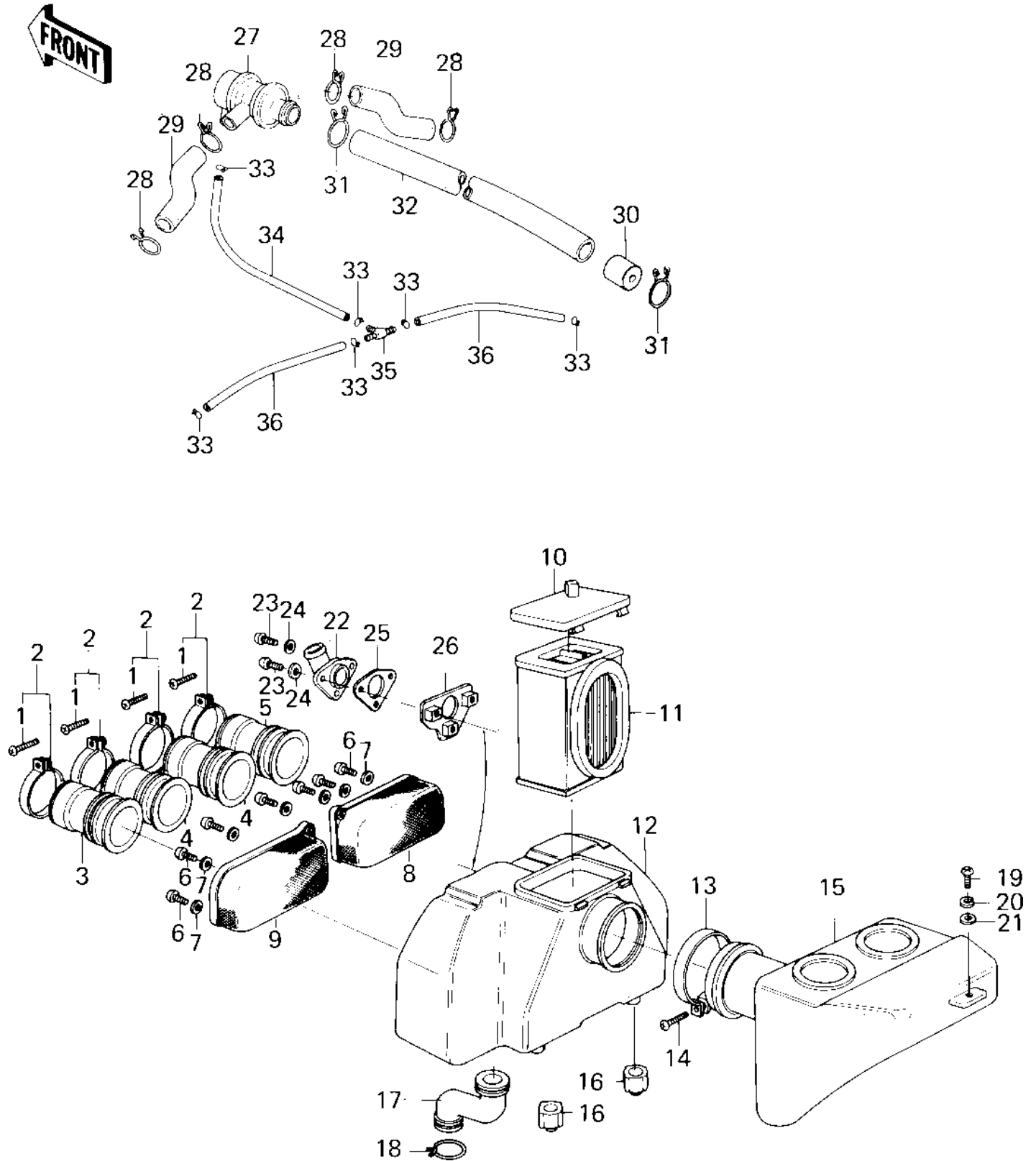


# 1980 Z1R PARTS DIAGRAM

AIR CLEANER (80 D3)



# 1980 Z1R PARTS LIST

## AIR CLEANER (80 D3)

ITEM NAME	PART NUMBER	QUANTITY
SCREW,PAN HEAD (Ref # 1)	92011-037	4
CLAMP-INLET PIPE (Ref # 2)	92037-061	4
DUCT,AIR CLEANER,#1 (Ref # 3)	14073-1022	1
DUCT,AIR CLEANER,#2, (Ref # 4)	14073-1023	2
DUCT,AIR CLEANER,#4 (Ref # 5)	14073-1024	1
SCREW-PAN-CROS (Ref # 6)	220C0412	8
WASHER,PLAIN,4M/M (Ref # 7)	92022-1041	8
PLATE,CARBURETOR HOL (Ref # 8)	11040-003	1
PLATE,CARBURETOR HOL (Ref # 9)	11040-002	1
CAP,AIR CLEANER (Ref # 10)	11012-075	1
ELEMENT,AIR CLNR (Ref # 11)	11013-063	1
BODY,AIR CLEANER (Ref # 12)	11011-1012	1
CLAMP (Ref # 13)	92037-106	1
BOLT,5X50 (Ref # 14)	92011-036	1
SILENCER (Ref # 15)	39161-1001	1
CAP,DRAIN (Ref # 16)	11012-1083	2
TUBE,DRAIN (Ref # 17)	92059-124	1
CLAMP BREATHER PIPE (Ref # 18)	92037-028	1
SCREW PAN HEAD 6X16 (Ref # 19)	220B0616	1
WASHER SPRING 6MM (Ref # 20)	461F0600	1
WASHER PLAIN 6MM (Ref # 21)	410B0600	1
FITTING (Ref # 22)	92005-1007	1
SCREW PAN HEAD 6X16 (Ref # 23)	220B0616	3
WASHER PLAIN 6MM (Ref # 24)	410B0600	3
GASKET (Ref # 25)	11009-1054	1
HOLDER (Ref # 26)	13091-1020	1
VALVE ASSY,AIR SWITC (Ref # 27)	16126-1014	1
CLAMP,BREATHER TUBE (Ref # 28)	92037-213	4
TUBE,14X20 (Ref # 29)	92059-1030	2

# 1980 Z1R PARTS LIST

## AIR CLEANER ('80 D3)

ITEM NAME	PART NUMBER	QUANTITY
COLLAR (Ref # 30)	92027-1186	1
CLAMP (Ref # 31)	92037-1076	2
TUBE,19X25X260 (Ref # 32)	92059-1031	1
CLAMP-PIPE (Ref # 33)	92037-072	6
TUBE,VACUUM,LONG (Ref # 34)	92059-1162	1
FITTING,TUBE (Ref # 35)	92005-1017	1
TUBE,VACUUM,LONG (Ref # 36)	92059-1162	2