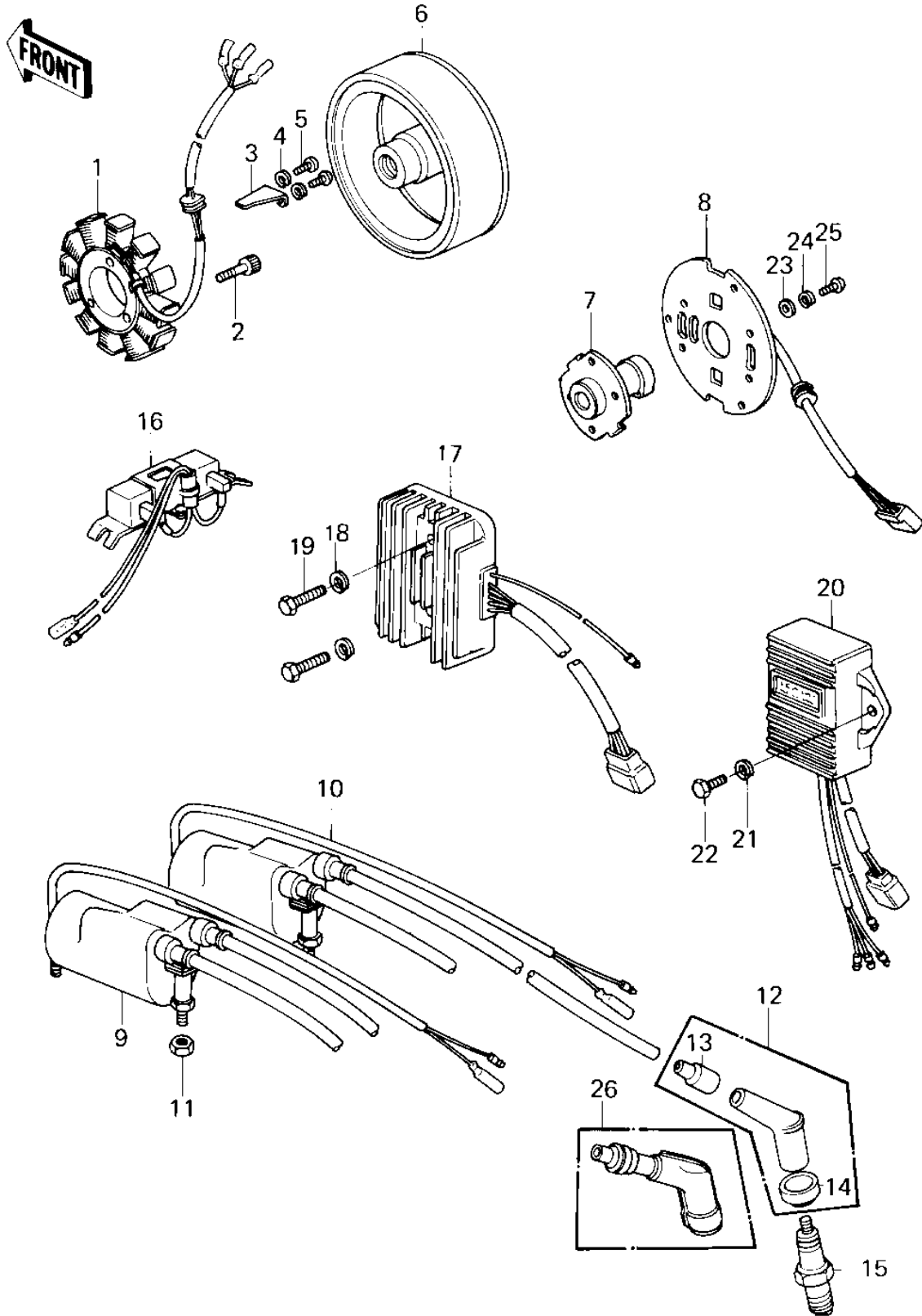


1980 Z1R PARTS DIAGRAM

IGNITION/GENERATOR/REGULATOR (80 D3)



1980 Z1R PARTS LIST

IGNITION/GENERATOR/REGULATOR ('80 D3)

ITEM NAME	PART NUMBER	QUANTITY
STATOR ASSY (Ref # 1)	21003-1015	1
BOLT,SOCKET,5X25 (Ref # 2)	120P0525A	3
CLAMP,GENERATOR WIRE (Ref # 3)	92037-1122	1
WASHER SPRING 5MM (Ref # 4)	461F0500	2
SCREW PAN HEAD 5X12 (Ref # 5)	220B0512	2
ROTOR (Ref # 6)	21007-1011	1
ADVANCER ASSY,SPARK (Ref # 7)	21148-1009	1
ADVANCER ASSY SPARK (Canada) (Ref # 7)	21148-1006	1
COIL-PULSING (Ref # 8)	59026-1012	1
COIL,IGNITION,NO.1&4 (Ref # 9)	21121-1013	1
COIL,IGNITION,NO.2&3 (Ref # 10)	21121-1014	1
NUT,LOCK 6MM (Ref # 11)	92017-014	4
CAP SPARK PLUG (Ref # 12)	21160-1014	4
GROMMET,SPARK PLG CA (Ref # 13)	21132-005	4
GROMMET-PLUG CAP,A (Ref # 14)	21131-004	4
SPARK PLUG B8ES11 (Ref # 15)	B8ES11	4
RESISTOR ASSY (Ref # 16)	28018-1018	1
REGULATOR,VOLTAGE (Ref # 17)	21066-1008	1
WASHER SPRING 6MM (Ref # 18)	461F0600	2
BOLT-UPSET (Ref # 19)	112G0625	2
IGNITER (Ref # 20)	21119-5001	1
IGNITER (Ref # 20)	21119-5001	1
WASHER SPRING 6MM (Ref # 21)	461F0600	2
BOLT-UPSET,6X16 (Ref # 22)	112G0616	2
WASHER PLAIN 5MM (Ref # 23)	410B0500	3
WASHER SPRING 5MM (Ref # 24)	461F0500	3
SCREW PAN HEAD 5X12 (Ref # 25)	220B0512	3
CAP,SPARK PLUG (Ref # 26)	21160-005	4