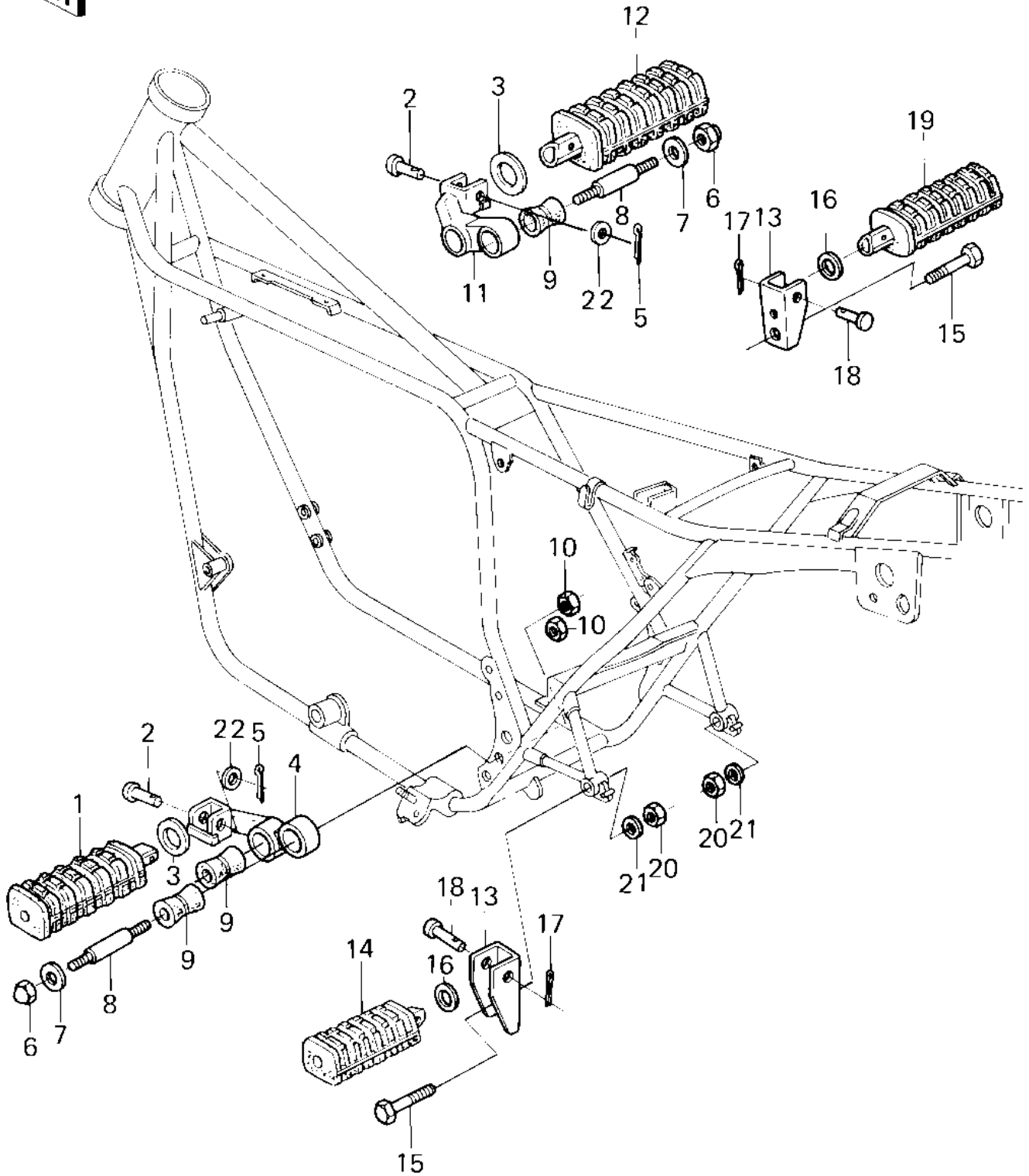


# 1980 Z1R PARTS DIAGRAM

FOOTRESTS ('80 D3)



# 1980 Z1R PARTS LIST

## FOOTRESTS ('80 D3)

ITEM NAME	PART NUMBER	QUANTITY
STEP-ASSY,FR,RH (Ref # 1)	34028-1018	1
PIN,FOOTREST BAR FIT (Ref # 2)	92043-115	2
WASHER,PLAIN (Ref # 3)	92022-250	2
HOLDER,L H FIRST STE (Ref # 4)	34003-1055	1
PIN COTTER 2.5X16 (Ref # 5)	550D2516	2
NUT,CAP AND LOCK,8MM (Ref # 6)	92019-013	4
CAP,FOOTRESTBAR (Ref # 7)	92102-010	4
STUD,FOOTREST BAR FI (Ref # 8)	92004-048	4
DAMPER RUBBER,FOOTRS (Ref # 9)	92075-140	4
NUT 10MM (Ref # 10)	315B1000	4
HOLDER,R.H FTRST STE (Ref # 11)	34003-1056	1
STEP-ASSY,FR,RH (Ref # 12)	34028-1018	1
BRACKET,STEP (Ref # 13)	32054-1021	2
STEP,FOOTREST,REAR,L (Ref # 14)	34028-1009	1
BOLT,HEX HEAD,10X60 (Ref # 15)	113B1060	2
WASHER-PLAIN (Ref # 16)	92022-181	2
PIN,COTTER,2.0X12 (Ref # 17)	550D2012	2
PIN (Ref # 18)	92043-1464	2
STEP,FOOTREST,REAR,R (Ref # 19)	34028-1010	1
NUT,LOCK,10MM (Ref # 20)	92019-021	2
WASHER PLAIN 10MM (Ref # 21)	411B1000	2
WASHER,PLAIN (Ref # 22)	92022-1028	2