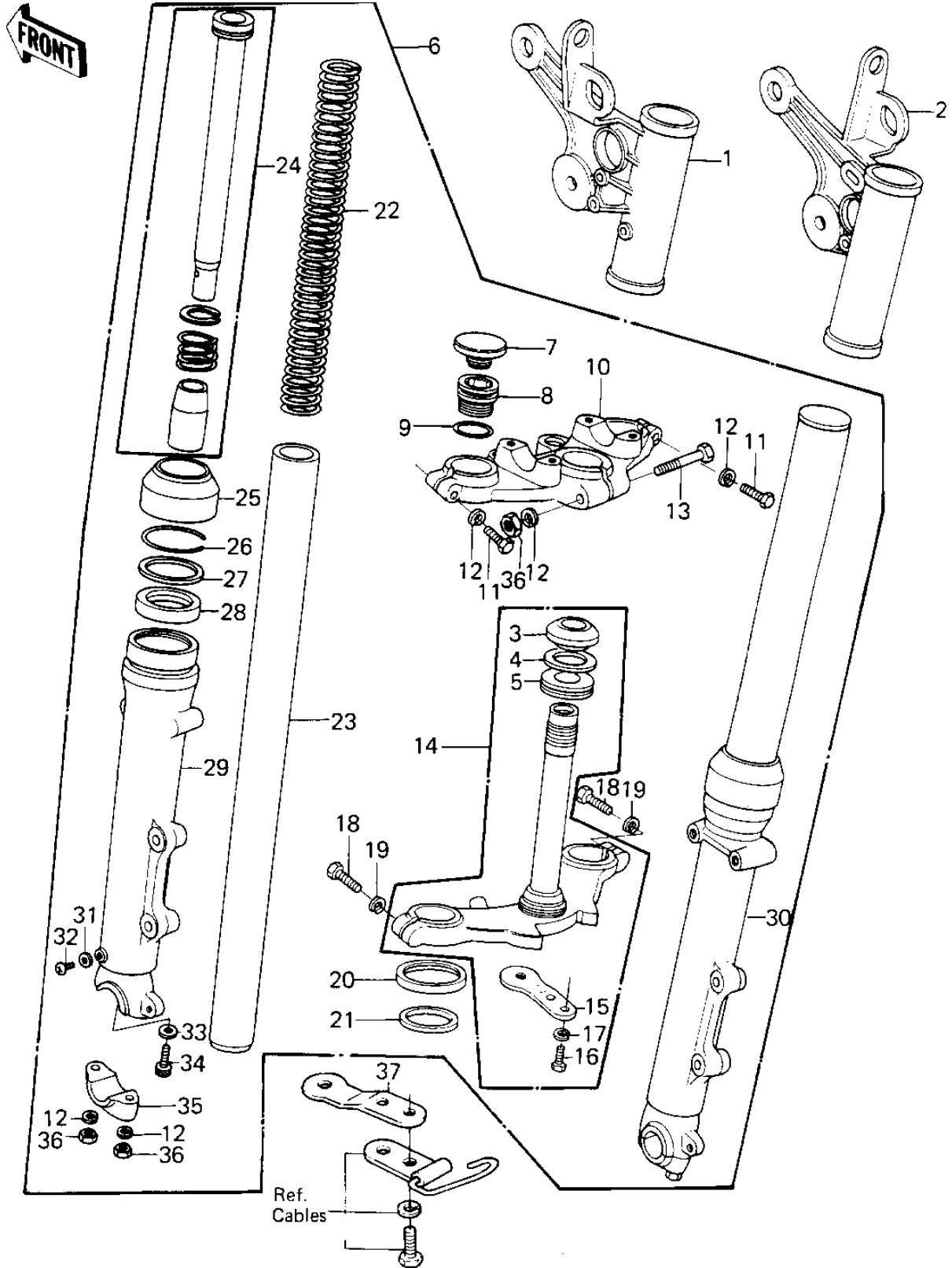


1980 Z1R PARTS DIAGRAM

FRONT FORK ('80 D3)



1980 Z1R PARTS LIST

FRONT FORK ('80 D3)

ITEM NAME	PART NUMBER	QUANTITY
COVER,L.H.FORK (Ref # 1)	44033-1011	1
COVER,R.H FORK (Ref # 2)	44033-1012	1
CONE,STEERING STEM (Ref # 3)	92047-012	1
WASHER,PLAIN (Ref # 4)	92022-231	1
OIL SEAL,STEERING ST (Ref # 5)	92056-003	1
FORK-FRONT (Ref # 6)	44001-1211	1
CAP,RUBBER (Ref # 7)	11012-1017	2
CAP,FORK SPRING (Ref # 8)	44029-1003	2
"O" RING,FORK TOP (Ref # 9)	92055-1009	2
HEAD,STEERING STEM (Ref # 10)	44039-1024	1
BOLT,8X40 (Ref # 11)	92001-1082	2
WASHER SPRING 8MM (Ref # 12)	461F0800	7
BOLT-HEX HEAD,8X55 (Ref # 13)	44041-038	1
STEM,STEELING (Ref # 14)	44037-1028	1
BRACKET (Ref # 15)	11034-1126	1
BOLT,6X14 (Ref # 16)	92001-1083	2
WASHER SPRING 6MM (Ref # 17)	461F0600	2
BOLT,HEX HEAD,12X40 (Ref # 18)	92001-1144	2
WASHER SPRING 12MM (Ref # 19)	461F1200	2
WASHER,FORK COVER (Ref # 20)	44043-049	2
GASKET,FORK COVER (Ref # 21)	44045-038	2
SPRING,FORK (Ref # 22)	44026-1039	2
TUBE,FORK INNER (Ref # 23)	44013-1003	2
CYLINDER-FORK (Ref # 24)	44022-1011	2
DUST SHEILD,FORK (Ref # 25)	44010-032	2
CIRCLIP-OIL SEAL FIT (Ref # 26)	44044-012	2
WASHER-OIL SEAL FIT (Ref # 27)	44043-044	2
OIL SEAL,FORK (Ref # 28)	44009-024	2
TUBE,LH,FORK OUTER (Ref # 29)	44005-1032	1

1980 Z1R PARTS LIST

FRONT FORK ('80 D3)

ITEM NAME	PART NUMBER	QUANTITY
TUBE,RH,FORK OUTER (Ref # 30)	44006-1032	1
GASKET FORK DRAIN PL (Ref # 31)	44045-002	2
SCREW PAN HEAD 4X8 (Ref # 32)	220B0408	2
GASKET,FORK CYLINDER (Ref # 33)	44045-057	2
BOLT-FORK CYLINDER (Ref # 34)	44041-040	2
HOLDER,FRONT AXLE (Ref # 35)	44063-014	2
NUT,LOCK,8MM (Ref # 36)	92015-1124	2
BRACKET (Ref # 37)	11034-1126	1