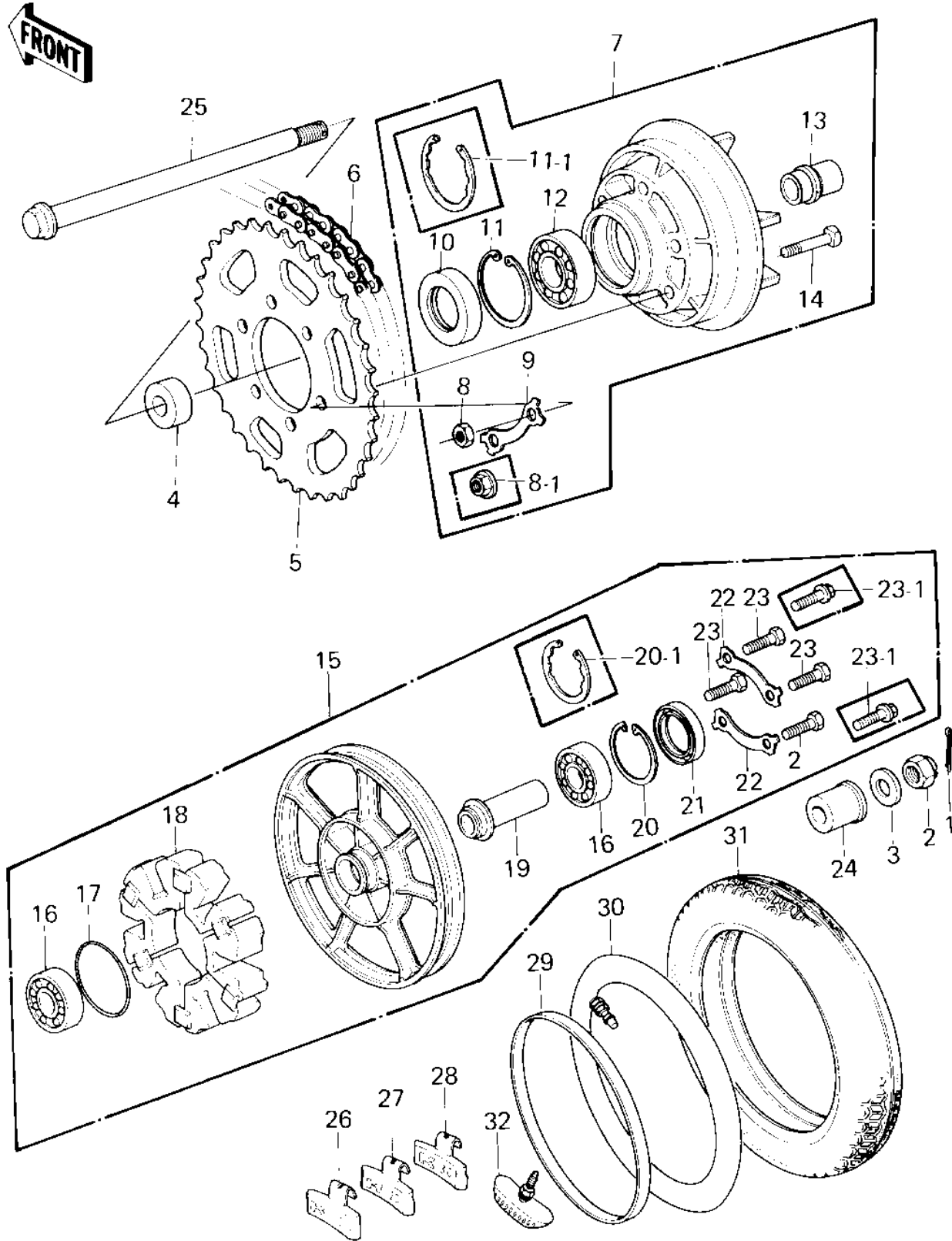


1980 Z1R PARTS DIAGRAM

REAR WHEEL/TIRE/HUB/CHAIN (80 D3)



1980 Z1R PARTS LIST

REAR WHEEL/TIRE/HUB/CHAIN ('80 D3)

ITEM NAME	PART NUMBER	QUANTITY
PIN-COTTER,4.0X35 (Ref # 1)	550D4035	1
NUT CASTLE,18MM (Ref # 2)	42045-018	1
WASHER,PLAIN,20MM (Ref # 3)	92022-248	1
COLLAR,REAR AXLE (Ref # 4)	42032-071	1
REAR SPROCKET, 35T (Ref # 5)	42041-1031	1
DR CHAIN 630X92 (Ref # 6)	92057-107	1
COUPLING ASSY,REAR (Ref # 7)	42033-1005	1
NUT 10MM (Ref # 8)	42045-005	6
NUT,10MM (Ref # 8-1)	92015-1415	6
WASHER LOCK (Ref # 9)	92088-007	3
OIL SEAL (Ref # 10)	92050-027	1
CIRCLIP,62M/M (Ref # 11)	92033-1044	1
CIRCLIP,62M/M (Ref # 11-1)	92033-1044	1
BALL BEARING,#6206 (Ref # 12)	601B6206	1
SLEEVE,RR HUB COUPLN (Ref # 13)	42036-033	1
BOLT-REAR SPROCKET (Ref # 14)	92003-087	6
SOLID WHEEL ASSY,REA (Ref # 15)	41073-1035	1
BALL BEARING,#6304Z (Ref # 16)	601B6304Z	2
"0" RING,65MM (Ref # 17)	671B2565	1
SHOCK DAMPER,REAR HU (Ref # 18)	42014-033	1
SPACER,RR HUB BEARIN (Ref # 19)	42010-039	1
RING,SNAP,56.2M/M (Ref # 20)	92033-1043	1
RING,SNAP,56.2M/M (Ref # 20-1)	92033-1043	1
OIL SEAL WTC35527 (Ref # 21)	92052-006	1
WASHER,LOCK (Ref # 22)	92088-023	2
BOLT (Ref # 23)	92001-158	4
BOLT,HEX HEAD,10X30 (Ref # 23-1)	92001-1173	4
COLLAR,REAR AXLE (Ref # 24)	42032-080	1
AXLE,REAR (Ref # 25)	42031-034	1

1980 Z1R PARTS LIST

REAR WHEEL/TIRE/HUB/CHAIN ('80 D3)

ITEM NAME	PART NUMBER	QUANTITY
BALANCER-WHEEL,10G (Ref # 26)	41075-1011	AR
BALANCER-WHEEL,20G (Ref # 27)	41075-1012	AR
BALANCER-WHEEL,30G (Ref # 28)	41075-1013	AR
BAND,RIM,4.00/5.10-1 (Ref # 29)	41023-1006	1
TUBE 350/375/410-18 (Ref # 30)	41022-031	1
TIRE 400V-18 K87 (Ref # 31)	41002-1069	1
STOPPER,RIM,2.15 (Ref # 32)	41024-1001	2