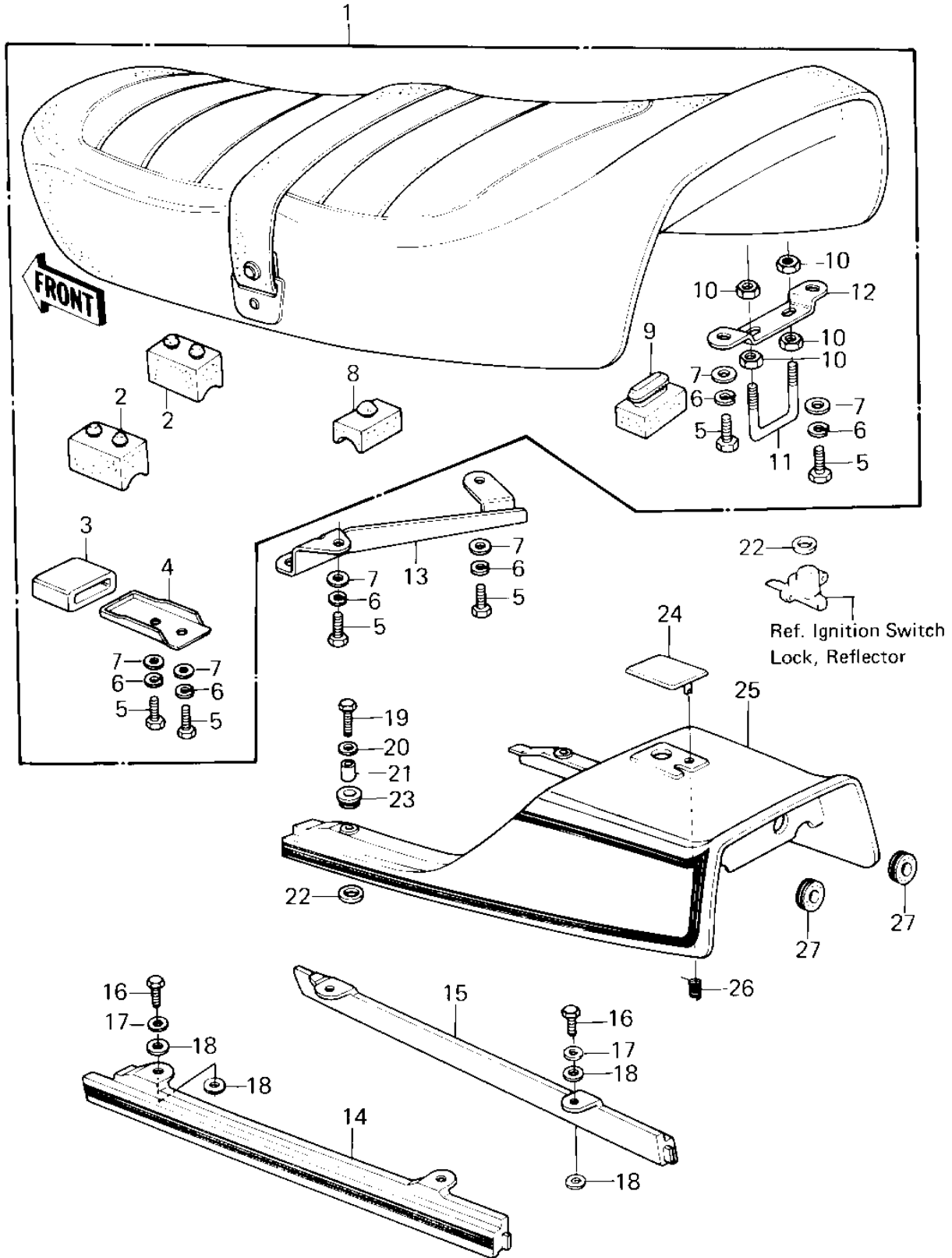


# 1980 Z1R PARTS DIAGRAM

SEAT/SEAT COVER ('80 D3)



# 1980 Z1R PARTS LIST

## SEAT/SEAT COVER ('80 D3)

ITEM NAME	PART NUMBER	QUANTITY
SEAT-ASSY,DUAL (Ref # 1)	53001-1060	1
DAMPER RUBBER,SEAT (Ref # 2)	92075-139	2
DAMPER RUBBER,SEAT (Ref # 3)	92075-219	2
BRACKET,HOLDER (Ref # 4)	11034-1135	2
BOLT-UPSET,6X16 (Ref # 5)	112G0616	8
WASHER SPRING 6MM (Ref # 6)	461F0600	8
WASHER PLAIN 6MM (Ref # 7)	411B0600	8
DAMPER RUBBER (Ref # 8)	92075-1041	1
DAMPER RUBBER (Ref # 9)	92075-099	1
NUT 6MM (Ref # 10)	312B0600	4
CATCH, SEAT (Ref # 11)	53056-002	1
BRACKET, SEAT CATCH (Ref # 12)	53058-001	1
BRACKET,SEAT (Ref # 13)	11034-1132	1
COVER,SEAT L.H,EBONY (Ref # 14)	14025-1023-8G	1
COVER,SEAT R.H,EBONY (Ref # 15)	14025-1024-8G	1
BOLT-HEX HEAD,6MM (Ref # 16)	92003-069	4
WASHER PLAIN 8MM (Ref # 17)	410B0800	4
DAMPER RUBBER,SIDE C (Ref # 18)	92075-251	8
BOLT-UPSET (Ref # 19)	112G0625	2
WASHER,PLAIN,7MM (Ref # 20)	92022-228	2
COLLAR (Ref # 21)	92027-241	2
DAMPER RUBBER (Ref # 22)	92075-175	3
RUBBER,FENDER COVER (Ref # 23)	92075-174	2
COVER,SEAT LOCK (Ref # 24)	14025-1025	1
COVER,SEAT,EBONY (Ref # 25)	14025-1018-8G	1
SPRING (Ref # 26)	92081-1049	1
DAMPER (Ref # 27)	92075-1057	2