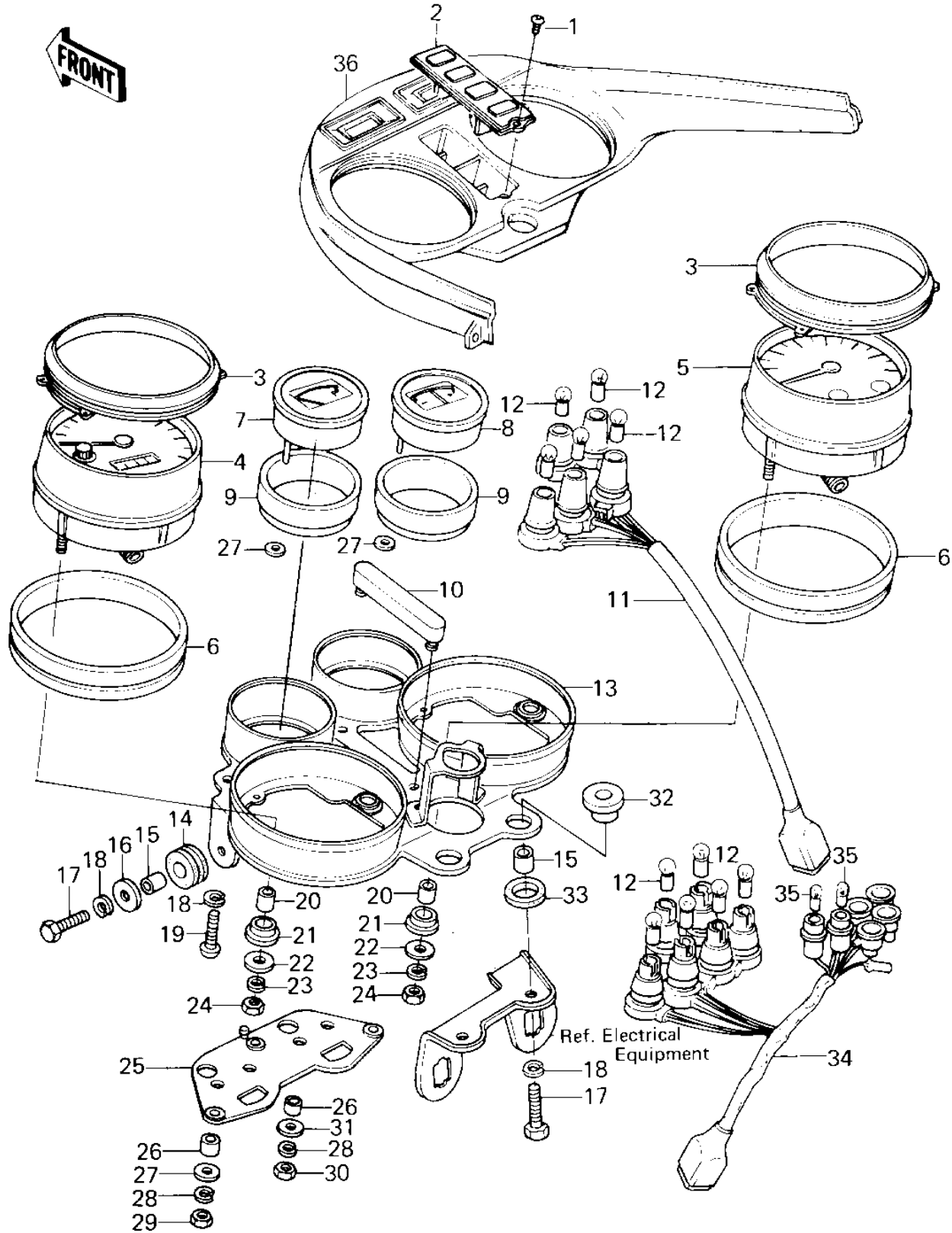


1980 Z1R PARTS DIAGRAM

METERS ('80 D3)



1980 Z1R PARTS LIST

METERS ('80 D3)

ITEM NAME	PART NUMBER	QUANTITY
SCREW,TAPPING,3X12,B (Ref # 1)	92009-1028	1
COVER,METER INDICATE (Ref # 2)	25023-1004	1
DAMPER RUBBER,METER (Ref # 3)	92075-1049	2
SPEEDOMETER ASSY,MPH (Ref # 4)	25005-1070	1
SPEEDOMETER ASSY,KPH (Canada) (Ref # 4)	25005-1023	1
TACHOMETER ASSY (Ref # 5)	25015-1014	1
DAMPER RUBBER,METER (Ref # 6)	92075-1050	2
METER,FUEL GAUGE (Ref # 7)	28011-1001	1
METER,AMMETER (Ref # 8)	28011-1002	1
DAMPER RUBBER,METER (Ref # 9)	92075-1051	2
DAMPER RUBBER,METER (Ref # 10)	92075-1053	1
SOCKET ASY,METR INDI (Ref # 11)	23008-1021	1
BULB 12V 3W (Ref # 12)	92069-018	11
BRACKET,METER (Ref # 13)	25008-1008	1
DAMPER RUBBER (Ref # 14)	92075-1035	2
COLLAR 6.8X10X14.5 (Ref # 15)	92027-156	2
WASHER 6.5X20X1.6T (Ref # 16)	92022-125	4
BOLT-UPSET (Ref # 17)	112G0625	4
WASHER SPRING 6MM (Ref # 18)	461F0600	6
SCREW PAN HEAD 6X12 (Ref # 19)	220B0612	2
COLLAR,METER (Ref # 20)	92027-211	4
RUBBER,METER (Ref # 21)	92075-172	4
WASHER,PLAIN,5MM (Ref # 22)	92022-241	4
WASHER SPRING 5MM (Ref # 23)	461F0500	4
NUT 5MM (Ref # 24)	312B0500	4
DAMPER RUBBER,METER (Ref # 25)	92075-1052	1
COLLAR (Ref # 26)	92027-1075	7
WASHER,PLAIN (Ref # 27)	92022-1052	7
WASHER SPRING 4MM (Ref # 28)	461F0400	7

1980 Z1R PARTS LIST

METERS ('80 D3)

ITEM NAME	PART NUMBER	QUANTITY
NUT-HEX (Ref # 29)	312B0400	3
NUT,4MM (Ref # 30)	311B0400	4
WASHER,PLAIN (Ref # 31)	92022-1051	4
DAMPER RUBBER (Ref # 32)	92075-1036	2
DAMPER RUBBER (Ref # 33)	92075-1037	2
SOCKET ASSY,METER (Ref # 34)	23008-1020	1
BULB,12V2W (Ref # 35)	92069-1003	2
COVER,METER CASE (Ref # 36)	25023-1002	1