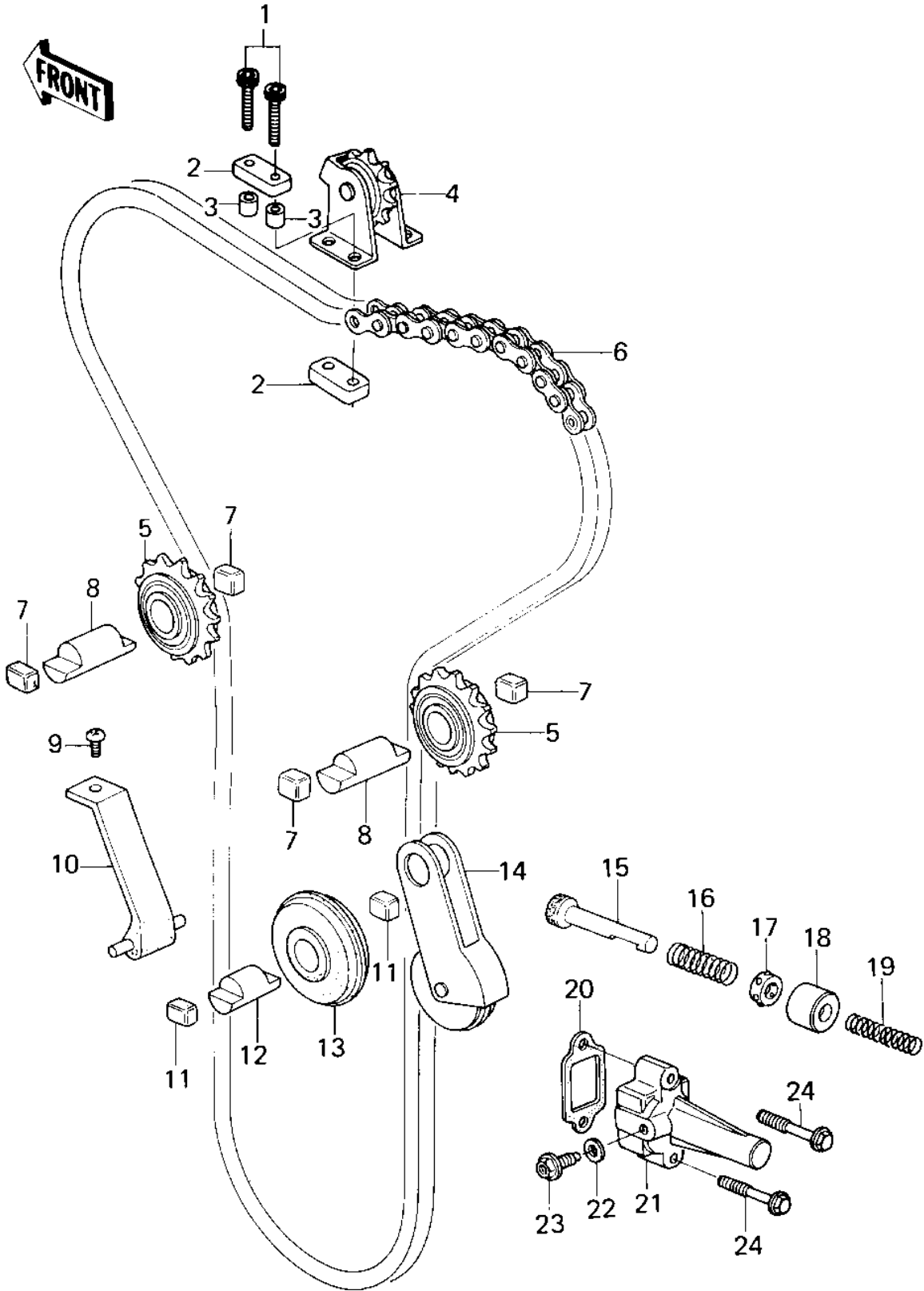


# 1980 Shaft PARTS DIAGRAM

CAM CHAIN/TENSIONER



# 1980 Shaft PARTS LIST

## CAM CHAIN/TENSIONER

ITEM NAME	PART NUMBER	QUANTITY
BOLT,ALLEN,6X32 (Ref # 1)	120Q0632	4
DAMPER RUBBER (Ref # 2)	92075-289	4
COLLAR,8X15 (Ref # 3)	92027-1079	4
IDLER ASSY,CAM SHAFT (Ref # 4)	12053-1035	4
IDLER ASSY (Ref # 5)	12057-002	4
CHAIN,CAM,124LINKS (Ref # 6)	92057-1026	4
RUBBER,GUIDE ROLLAR (Ref # 7)	92075-232	4
SHAFT,GUIDE ROLLER (Ref # 8)	12052-005	4
SCREW PAN HEAD 6X10 (Ref # 9)	220B0610	4
GUIDE,CAM CHAIN (Ref # 10)	12053-019	4
DAMPER RUBBER (Ref # 11)	92075-123	4
SHAFT,CAM CHAIN GUIDE (Ref # 12)	12052-003	4
ROLLER,CAM CHAIN GUID (Ref # 13)	12055-002	4
TENSIONER ASSY,CHAIN (Ref # 14)	12048-001	4
ROD ASSY,PUSH (Ref # 15)	13116-1008	4
SPRING,TENSIONER (Ref # 16)	92081-1068	4
RETAINER (Ref # 17)	14020-1002	4
COLLAR, TENSIONER (Ref # 18)	92027-1102	4
SPRING (Ref # 19)	92081-146	4
GASKET,TENSIONER (Ref # 20)	11009-1980	4
TENSIONER KIT (Ref # 21)	99996-1021	4
WASHER OIL PUMP BANJO (Ref # 22)	92022-077	4
BELT,TENSIONER ADJUST (Ref # 23)	92001-1155	4
BOLT,FLANGED,6X30 (Ref # 24)	130G0630	4