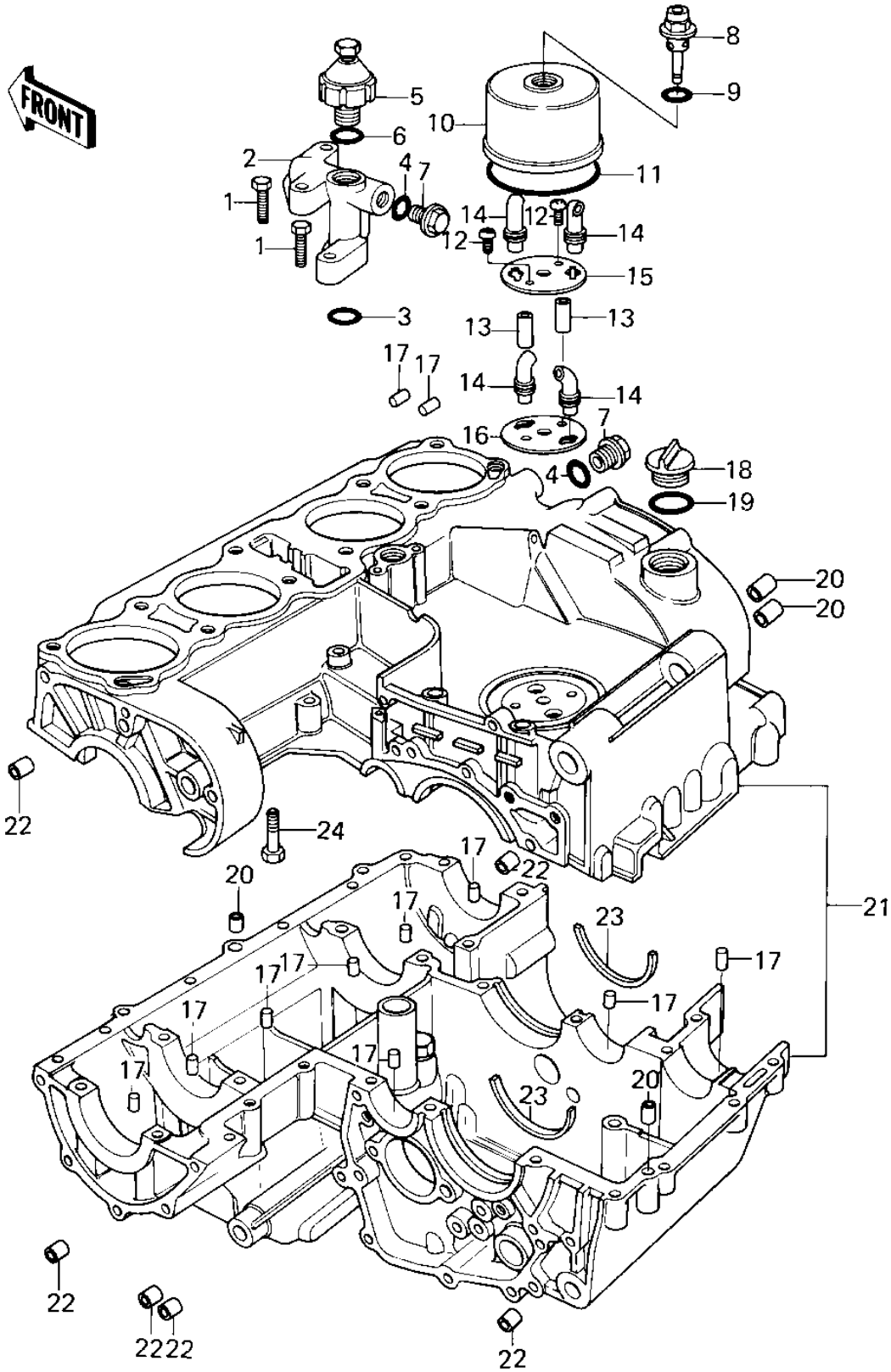


1980 Shaft PARTS DIAGRAM

CRANKCASE/BREATHER COVER



1980 Shaft PARTS LIST

CRANKCASE/BREATHER COVER

ITEM NAME	PART NUMBER	QUANTITY
BOLT,HEX HEAD,6X35 (Ref # 1)	92001-164	4
PIPE (Ref # 2)	16109-003	4
"O" RING,18MM (Ref # 3)	670B2018	4
"O" RING,15MM (Ref # 4)	670B2015	4
SWITCH,OIL PRESSURE (Ref # 5)	27010-1013	4
"O" RING (Ref # 6)	92055-055	4
PLUG (Ref # 7)	92066-021	4
BOLT,BREATHER FITTING (Ref # 8)	92003-098	4
"O" RING,16MM (Ref # 9)	670B2016	4
BODY,BREATHER (Ref # 10)	14070-007	4
"O" RING,91MM (Ref # 11)	92055-052	4
SCREW PAN HEAD 6X40 (Ref # 12)	220B0640	4
COLLAR,IGNITION COIL (Ref # 13)	92027-276	4
TUBE,BREATHER (Ref # 14)	92059-140	4
PLATE,BREATHER (Ref # 15)	14068-009	4
PLATE,BREATHER (Ref # 16)	14068-007	4
PIN DOWEL 6MM (Ref # 17)	92042-016	4
PLUG,OIL FILLER (Ref # 18)	16115-013	4
"O" RING,31MM (Ref # 19)	92055-049	4
PIN,DOWEL,10X8.2X14 (Ref # 20)	92043-1037	4
CRANKCASE SET (Ref # 21)	14001-5030	4
PIN-DOWEL (Ref # 22)	92042-007	4
RING,POSITION (Ref # 23)	14013-1004	4
RING-BEARING SET (Ref # 23)	14013-013	4
BOLT,HEX HEAD,8X72 (Ref # 24)	92003-107	4