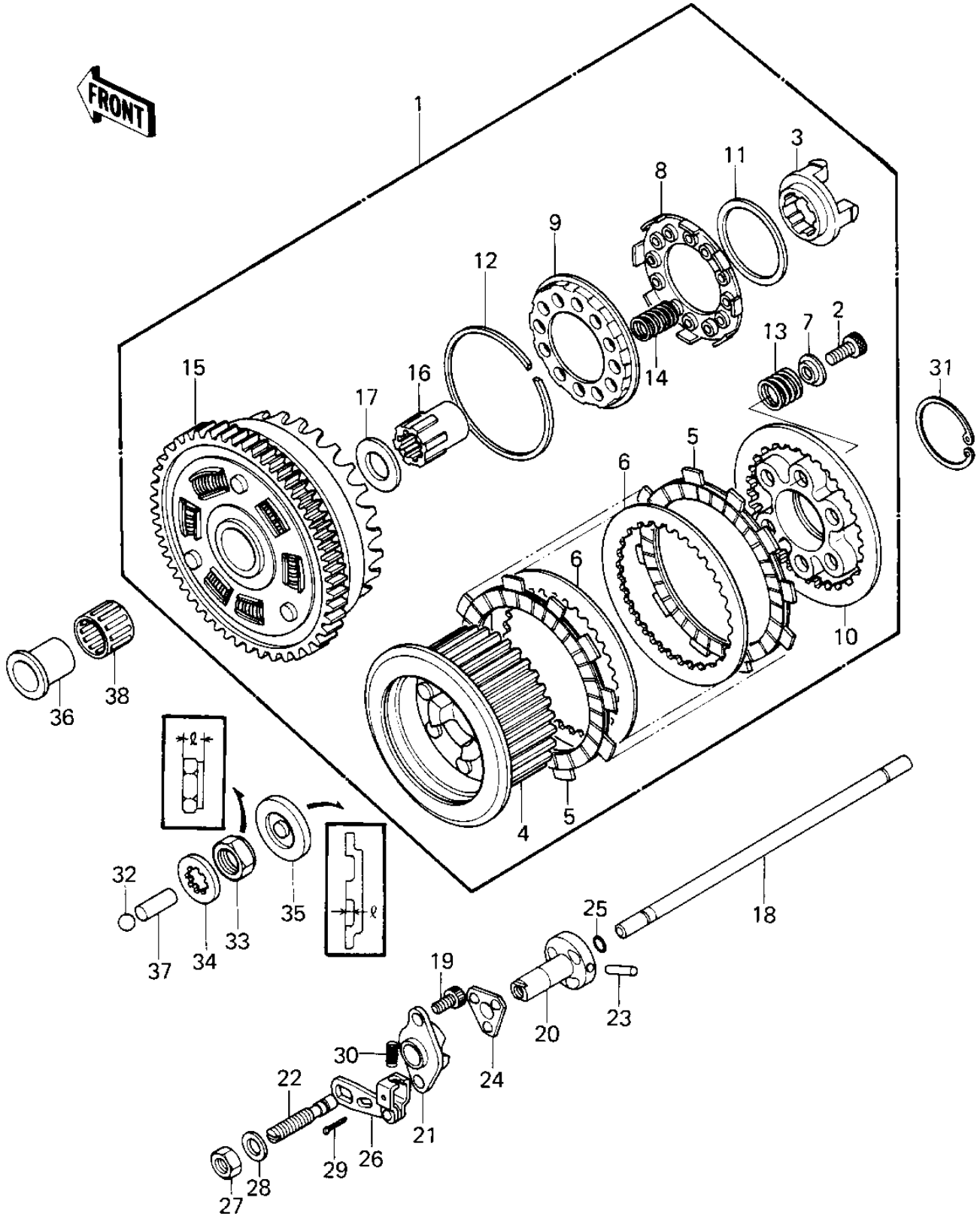


1979 Shaft PARTS DIAGRAM

CLUTCH



1979 Shaft PARTS LIST

CLUTCH

ITEM NAME	PART NUMBER	QUANTITY
CLUTCH-ASSY (Ref # 1)	13081-1021	1
BOLT-SOCKET,6X16,BLAC (Ref # 2)	120S0616	6
DAMPER (Ref # 3)	13048-1007	1
HUB,CLUTCH (Ref # 4)	13087-1009	1
PLATE,CLUTCH FRICTION (Ref # 5)	13088-040	9
PLATE,CLUTCH,STEEL (Ref # 6)	13089-1004	8
HOLDER,CLUTCH,SPRING (Ref # 7)	13091-1041	6
HOLDER,CLUTCH SPRING (Ref # 8)	13091-1042	1
HOLDER,CLUTCH SPRING (Ref # 9)	13091-1043	1
PLATE,CLUTCH OPERATNG (Ref # 10)	13187-1004	1
SPACER,3.5X59X70 (Ref # 11)	92026-1043	1
RING,SNAP (Ref # 12)	92033-1029	1
SPRING,CLUTCH (Ref # 13)	92081-1114	6
SPRING,CLUTCH DAMPER (Ref # 14)	92081-1115	12
HOUSING,CLUTCH (Ref # 15)	13095-1014	1
SHAFT,CLUTCH (Ref # 16)	13107-1013	1
WASHER TH 25.5X47X2.5 (Ref # 17)	92026-022	1
ROD,CLUTCH PUSH (Ref # 18)	13116-1007	1
BOLT-SOCKET,6X16,BLAC (Ref # 19)	120S0616	2
CAM,CLUTCH RELEASE A (Ref # 20)	13119-1007	1
CAM,CLUTCH RELEASE B (Ref # 21)	13119-1008	1
SCREW,CLUTCH RELEASE (Ref # 22)	92009-1052	1
PIN,GEAR CHNGE DRUM (Ref # 23)	92042-030	1
BALL,ASSY,CLUTCH RELS (Ref # 24)	92045-1023	1
"O" RING,5MM (Ref # 25)	670B1505	1
LEVER ASSY,CLUTCH REL (Ref # 26)	13236-1012	1
NUT 8MM (Ref # 27)	318B0800	1
WASHER PLAIN 8MM (Ref # 28)	411B0800	1
PIN COTTER 1.6X15 (Ref # 29)	550D1615	1

1979 Shaft PARTS LIST

CLUTCH

ITEM NAME	PART NUMBER	QUANTITY
UNAVAILABLE IN PRICE BOOK (Ref # 30)	92081069	1
CIRCLIP,50M/M (Ref # 31)	481J5000	1
BALL STEEL 3/8' (Ref # 32)	600A1200	1
NUT,20M/M (Ref # 33)	92015-1065	1
NUT,20MM (Ref # 33)	92015-1555	1
WASHER,LOCK (Ref # 34)	92022-1114	1
SPACER,CLUTCH (Ref # 35)	92026-1065	1
SPACER,CLUTCH (Ref # 35)	92026-1065	1
BUSHING,CLUTCH (Ref # 36)	92028-135	1
PIN,PUSH ROD (Ref # 37)	92043-1051	1
BEARING,KTV323723 (Ref # 38)	92046-028	1