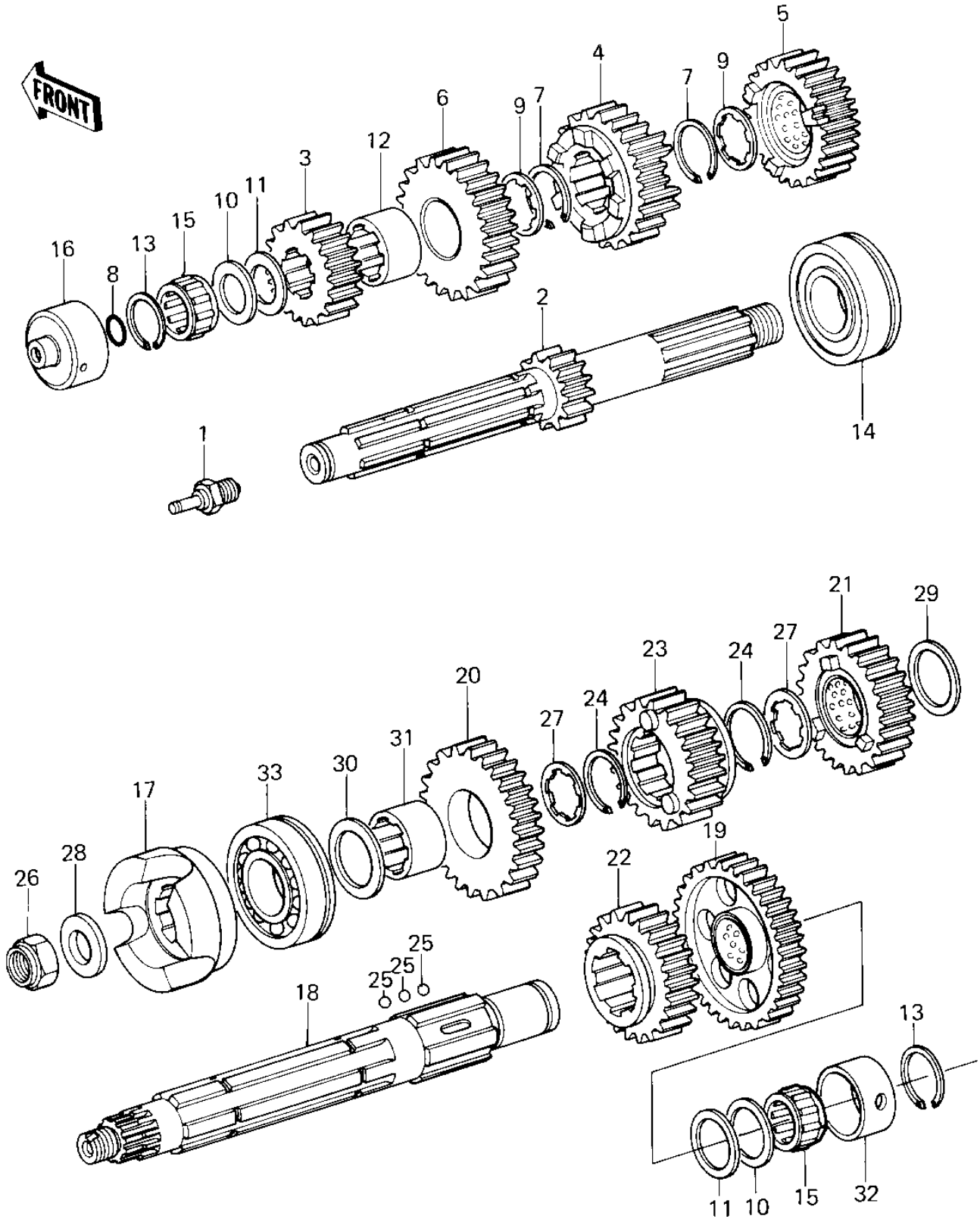


1980 Shaft PARTS DIAGRAM

TRANSMISSION



1980 Shaft PARTS LIST

TRANSMISSION

ITEM NAME	PART NUMBER	QUANTITY
SWITCH,NEUTRAL (Ref # 1)	13151-5002	4
SHAFT,DRIVE (Ref # 2)	13127-1012	4
2ND GER,DRIVE SHAFT (Ref # 3)	13130-032	4
3RD GEAR,DRIVE SHAFT (Ref # 4)	13132-030	4
4TH GEAR,DRIVE SHAFT (Ref # 5)	13134-016	4
TOP GEAR,DRIVE SHAFT (Ref # 6)	13136-042	4
CIRCLIP 28MM (Ref # 7)	480J2800	4
"O" RING,8MM (Ref # 8)	670B1508	4
WASHER,LOCK (O.D=35) (Ref # 9)	92022-1077	4
WASHER,PLAIN,22MM (Ref # 10)	92022-212	4
WASHER,PLAIN,22MM (Ref # 10)	92022-213	4
SPACER (I.D=22 O.D=35 (Ref # 11)	92026-1020	4
BUSHING,TOP GEAR (Ref # 12)	92028-1124	4
CIRCLIP,25MM (Ref # 13)	92033-025	4
BEARING,BALL,5305NSH2 (Ref # 14)	92045-1028	4
BEARING,PK223013.8 (Ref # 15)	92046-031	4
RACE,DRIVE SHAFT BRNG (Ref # 16)	92048-1012	4
DAMPER,OUTPUT SHAFT (Ref # 17)	13048-1004	4
SHAFT,OUTPUT (Ref # 18)	13128-1019	4
LOW GER,OUTPUT SHAFT (Ref # 19)	13129-046	4
2ND GEAR,OUTPUT SHAFT (Ref # 20)	13131-038	4
3RD GEAR,OUTPUT SHAFT (Ref # 21)	13133-031	4
4TH GEAR,OUTPUT SHAFT (Ref # 22)	13135-020	4
TOP GEAR,OUTPUT SHAFT (Ref # 23)	13129-1214	4
CIRCLIP,30MM (Ref # 24)	480J3000	4
BALL STEEL 3/16' (Ref # 25)	600A0600	4
NUT,14M/M (Ref # 26)	92015-1067	4
WASHER,LOCK(O.D=40) (Ref # 27)	92022-1078	4
WASHER,PLAIN,5X14.1 (Ref # 28)	92022-1115	4

1980 Shaft PARTS LIST

TRANSMISSION

ITEM NAME	PART NUMBER	QUANTITY
WASHER,PLAIN,30MM (Ref # 29)	92022-209	4
WASHER,PLAIN,25MM (Ref # 30)	92022-210	4
BUSHING,2ND GEAR (Ref # 31)	92028-1005	4
BUSH,OUTPUT SHAFT (Ref # 32)	92028-123	4
BALL BEARING 6305N (Ref # 33)	92045-020	4