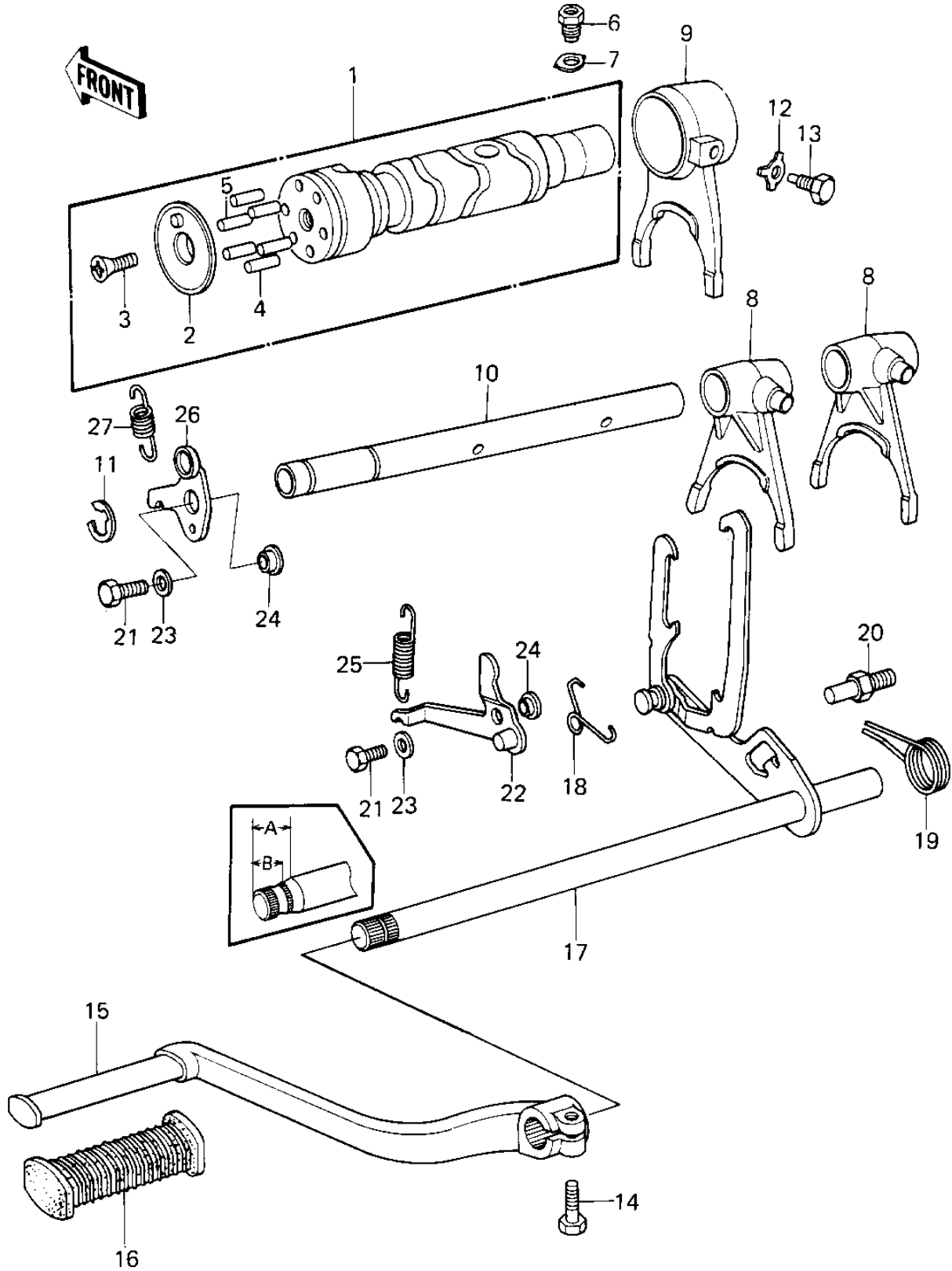


# 1980 Shaft PARTS DIAGRAM

GEAR CHANGE MECHANISM



# 1980 Shaft PARTS LIST

## GEAR CHANGE MECHANISM

ITEM NAME	PART NUMBER	QUANTITY
DRUM ASSY,GEAR CHANGE (Ref # 1)	13239-1022	4
HOLDER,CHANGE DRUM (Ref # 2)	13091-1088	4
SCREW CNTSNK HD 6X20 (Ref # 3)	221B0620	4
PIN GEAR CHANGE DRUM (Ref # 4)	92042-014	4
PIN-CHANGE DRUM (Ref # 5)	92042-020	4
BOLT,CHG DRUM POSITN (Ref # 6)	92001-1052	4
WASHER,LOCK (Ref # 7)	92024-047	4
FORK,SELECTOR,4TH&TOP (Ref # 8)	13140-045	4
FORK,SELECTOR,3RD (Ref # 9)	13140-046	4
ROD,SHIFT (Ref # 10)	13209-011	4
CIRCLIP 12MM (Ref # 11)	480J1200	4
WASHER LOCK 10MM (Ref # 12)	92031-001	4
PIN SELECT FORK GUIDE (Ref # 13)	92043-016	4
BOLT-UPSET (Ref # 14)	112G0625	4
PEDAL ASSY,GEAR CHNG (Ref # 15)	13156-1023	4
PEDAL,CHANGE (Ref # 15)	13156-1038	4
DAMPER RUBR GEAR CHNG (Ref # 16)	92075-1175	4
LEVER ASSY,GEAR CHANG (Ref # 17-19)	13161-1019	4
LEVER ASSY,GEAR CHANG (Ref # 17-19)	13161-1019	4
SPRING,KICK PAWL (Ref # 18)	92083-018	4
SPRING,CHG PEDL RTRN (Ref # 19)	92083-028	4
BOLT,RETURN SPRING (Ref # 20)	92001-1401	4
BOLT-UPSET (Ref # 21)	112G0618	4
LEVER,GEAR POSITIOING (Ref # 22)	13168-1039	4
WASHER,6.5X16X2 (Ref # 23)	92022-1565	4
BUSHING,GEAR POSITION (Ref # 24)	92028-1058	4
SPRING,GEAR POSITION (Ref # 25)	92081-1148	4
LEVER,NEUTRAL POSITON (Ref # 26)	13236-1011	4
SPRING RATCHET PA (Ref # 27)	92081-003	4