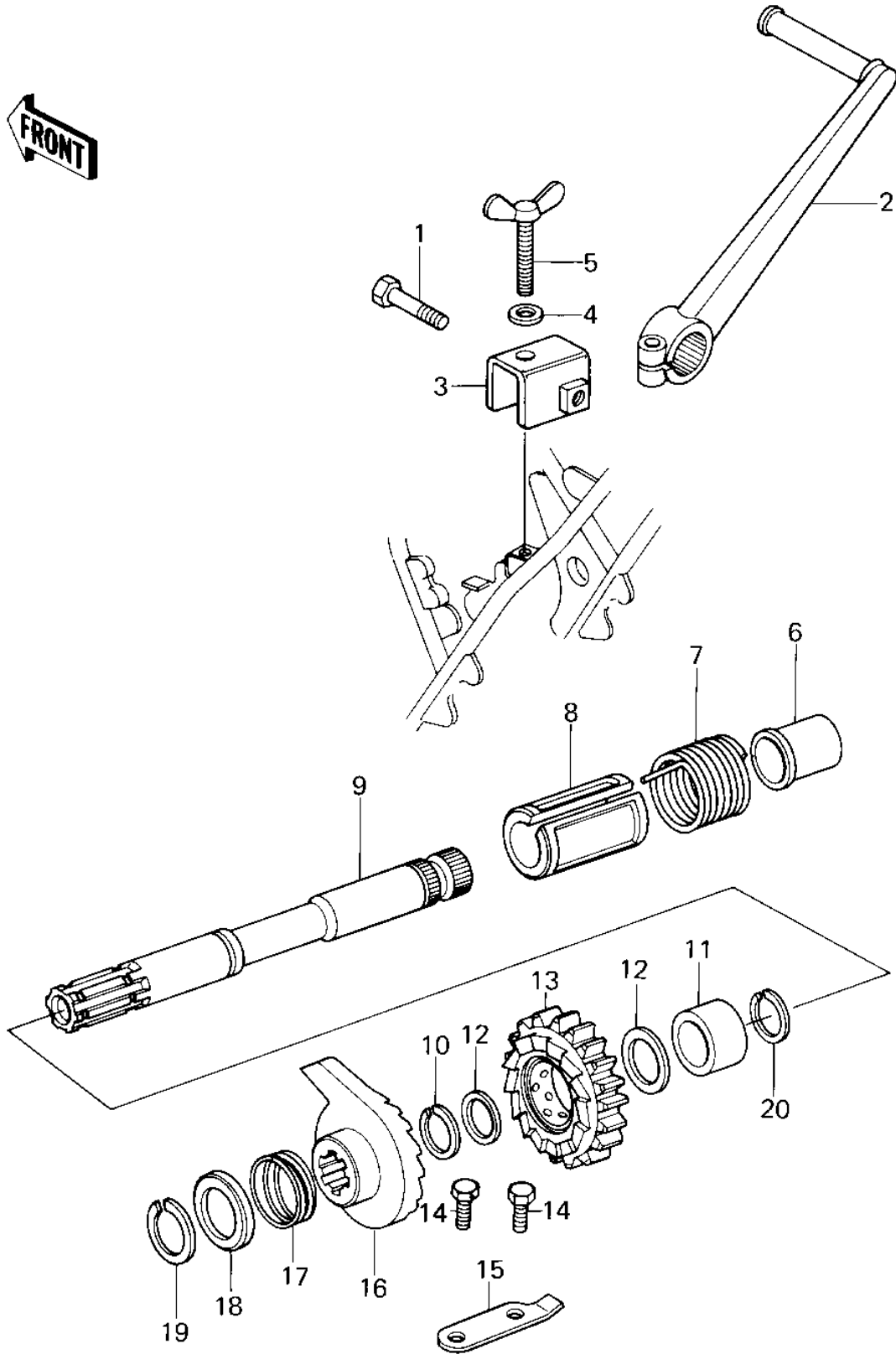


1979 Shaft PARTS DIAGRAM

KICKSTARTER MECHANISM



1979 Shaft PARTS LIST

KICKSTARTER MECHANISM

| ITEM NAME | PART NUMBER | QUANTITY |
|---------------------------------|-------------|----------|
| BOLT,HEX HEAD,10X25 (Ref # 1) | 113G1025 | 1 |
| LEVER ASSY,KICK (Ref # 2) | 13059-1006 | 1 |
| HOLDER,KICK LEVER (Ref # 3) | 13091-1044 | 1 |
| WASHER PLAIN 6MM (Ref # 4) | 411B0600 | 1 |
| BOLT,KICK LEVER HOLDR (Ref # 5) | 92001-1170 | 1 |
| PLUG (Ref # 6) | 92074-037 | 1 |
| SPRING,KICKSTARTER (Ref # 7) | 92082-004 | 1 |
| GUID,KICK SPRING (Ref # 8) | 13070-1008 | 1 |
| SHAFT,KICKSTARTER (Ref # 9) | 13066-1004 | 1 |
| CIRCLIP,25MM (Ref # 10) | 92033-025 | 1 |
| COLLAR,KICKSHAFT (Ref # 11) | 92028-126 | 1 |
| WASHER,PLAIN,22MM (Ref # 12) | 92022-207 | 2 |
| GEAR,KICKSTARTER (Ref # 13) | 59051-1006 | 1 |
| BOLT-UPSET (Ref # 14) | 112G0614 | 2 |
| STOPPER,KICKSTARTER (Ref # 15) | 13072-012 | 1 |
| RATCHET,KICK SHAFT (Ref # 16) | 13078-011 | 1 |
| SPRING RATCHET (Ref # 17) | 92081-104 | 1 |
| CAP,KICKSTARTER (Ref # 18) | 92102-008 | 1 |
| CIRCLIP,19MM (Ref # 19) | 480J1900 | 1 |
| CIRCLIP,22MM (Ref # 20) | 480J2200 | 1 |