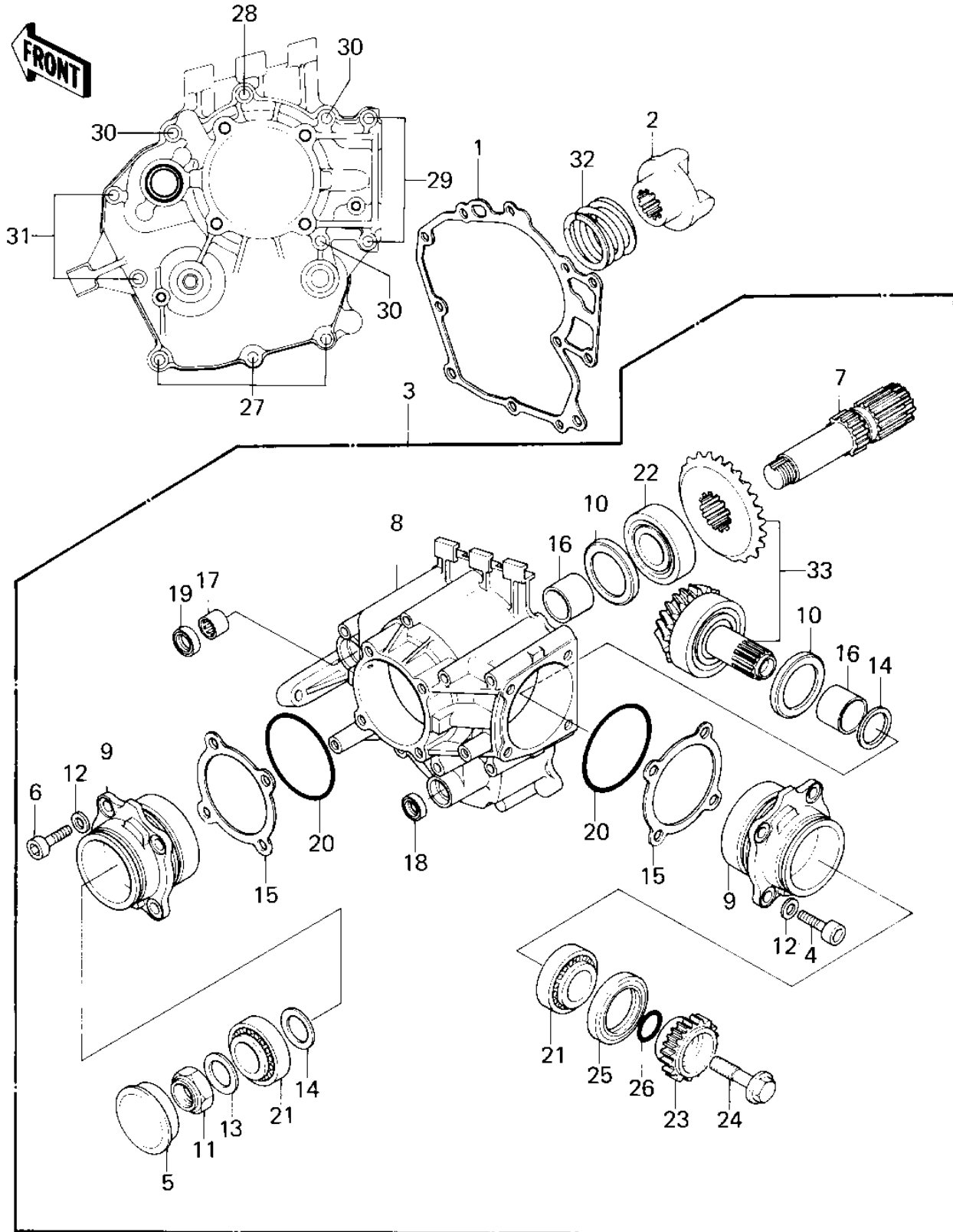


1980 Shaft PARTS DIAGRAM

FRONT BEVEL GEARS



1980 Shaft PARTS LIST

FRONT BEVEL GEARS

ITEM NAME	PART NUMBER	QUANTITY
GASCKET,FRONT BEVEL (Ref # 1)	11009-1112	4
CAM,DAMPER (Ref # 2)	13048-1005	4
GEAR ASSY,FRONT BEVEL (Ref # 3)	13101-1010	4
BOLT,SOCKET,8X25 (Ref # 4)	120P0825	4
CAP (Ref # 5)	11012-1071	4
BOLT,SOCKET,8X25 (Ref # 6)	120P0825	4
SHAFT,FRONT BEVEL GER (Ref # 7)	13107-1014	4
CASE,FRONT BEVEL GEAR (Ref # 8)	14055-1003	4
HOUSING,BEARING (Ref # 9)	41046-1010	4
CUP (Ref # 10)	51036-1002	4
NUT,20M/M (Ref # 11)	92015-1065	4
WASHER,PLAIN (Ref # 12)	92022-1028	4
WASHER,PLAIN,2.3X20.3 (Ref # 13)	92022-1116	4
SHIM,1.70T (Ref # 14)	92025-1072	4
SHIM,1.72T (Ref # 14)	92025-1073	4
SHIM,1.74T (Ref # 14)	92025-1074	4
SHIM,1.76T (Ref # 14)	92025-1075	4
SHIM,1.78T (Ref # 14)	92025-1076	4
SHIM,1.80T (Ref # 14)	92025-1077	4
SHIM,0.15T (Ref # 15)	92025-1078	4
SHIM,0.50T (Ref # 15)	92025-1079	4
SHIM,0.60T (Ref # 15)	92025-1080	4
SHIM,0.70T (Ref # 15)	92025-1081	4
SHIM,0.80T (Ref # 15)	92025-1082	4
SHIM,0.90T (Ref # 15)	92025-1083	4
SHIM,1.00T (Ref # 15)	92025-1084	4
SHIM,1.20T (Ref # 15)	92025-1085	4
COLLAR,L=22.8M/M (Ref # 16)	92027-1152	4
COLLAR,L=22.9M/M (Ref # 16)	92027-1153	4

1980 Shaft PARTS LIST

FRONT BEVEL GEARS

ITEM NAME	PART NUMBER	QUANTITY
COLLAR,L=23.0M/M (Ref # 16)	92027-1154	4
COLLAR,L=23.1M/M (Ref # 16)	92027-1155	4
COLLAR,L=23.2M/M (Ref # 16)	92027-1156	4
COLLAR,L=23.3M/M (Ref # 16)	92027-1157	4
COLLAR,L=23.4M/M (Ref # 16)	92027-1158	4
COLLAR,L=23.5M/M (Ref # 16)	92027-1159	4
COLLAR,L=23.6M/M (Ref # 16)	92027-1160	4
COLLAR,L=23.7M/M (Ref # 16)	92027-1161	4
COLLAR,L=23.8M/M (Ref # 16)	92027-1162	4
COLLAR,L=23.9M/M (Ref # 16)	92027-1163	4
COLLAR,L=24.0M/M (Ref # 16)	92027-1164	4
COLLAR,L=24.1M/M (Ref # 16)	92027-1165	4
BRG,N,7E-HK1412 (Ref # 17)	92046-037	4
OIL SEAL SB12205 (Ref # 18)	92049-004	4
OIL SEAL,TC14244.8 (Ref # 19)	92049-1037	4
"0" RING,65MM (Ref # 20)	671B2565	4
BEARING (Ref # 21)	92116-1003	4
BRG,ROLLER,4T-30305 (Ref # 22)	92116-1006	4
COUPLING,FR DRIVEN (Ref # 23)	42034-1091	4
BOLT,12X42 (Ref # 24)	92001-1169	4
OIL SEAL,TC35527 (Ref # 25)	92049-1038	4
"0" RING,I.D=18.64MM (Ref # 26)	92055-1044	4
BOLT,HEX HEAD,6X54 (Ref # 27)	92003-110	4
BOLT,HEX HEAD,6X99 (Ref # 28)	92003-111	4
BOLT-FLANGED,6X95 (Ref # 29)	130G0695	4
BOLT,HEX HEAD,6X116 (Ref # 30)	92003-113	4
BOLT-FLANGED,6X70 (Ref # 31)	130G0670	4
SPRING,CAM DAMPER (Ref # 32)	92081-1117	4
GEAR SET,FRONT BEVEL (Ref # 33)	13101-5027	4