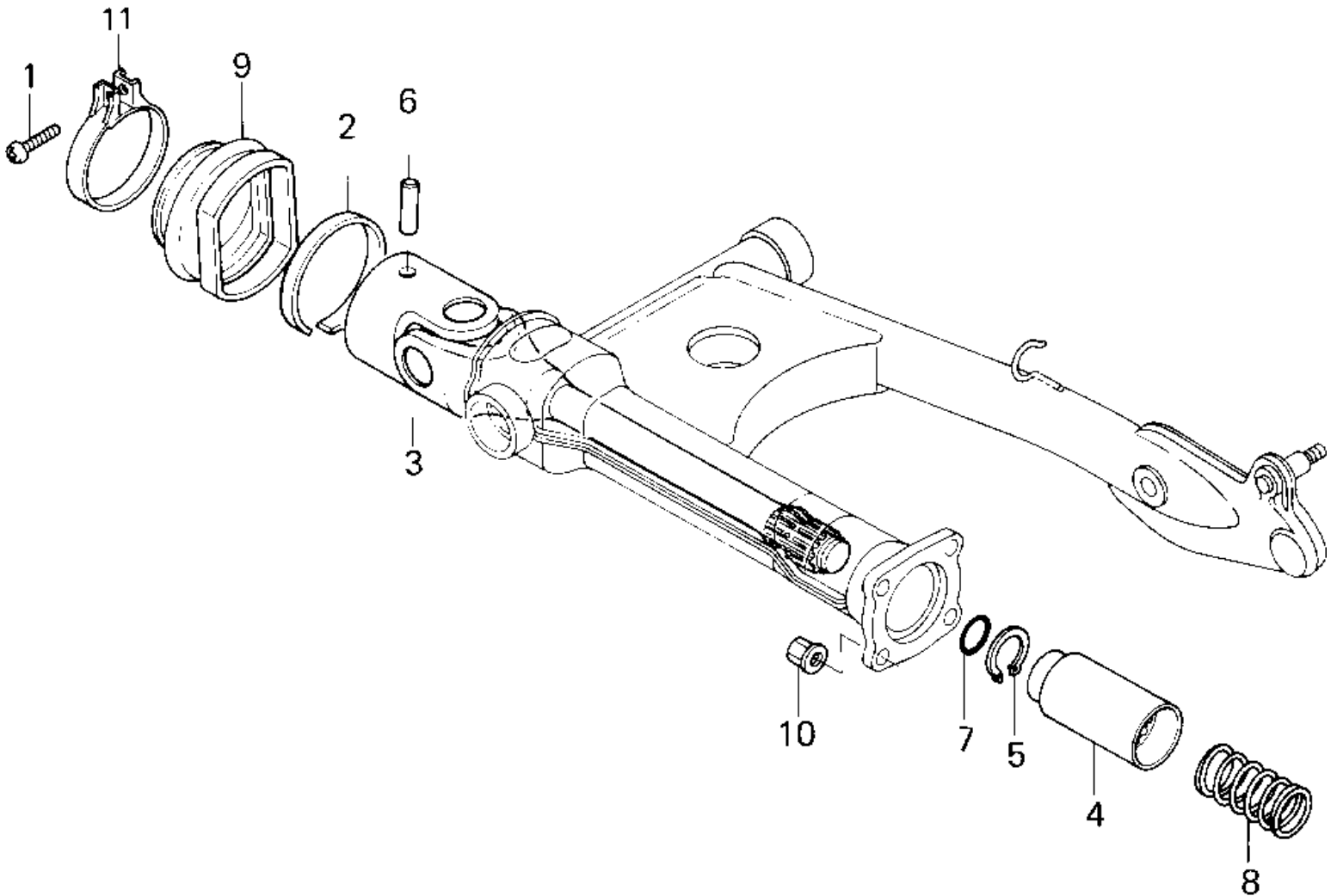


1980 Shaft PARTS DIAGRAM

DRIVE SHAFT



1980 Shaft PARTS LIST

DRIVE SHAFT

ITEM NAME	PART NUMBER	QUANTITY
SCREW-PAN-CROS (Ref # 1)	220B0430	4
SPRING,LEAF (Ref # 2)	39130-1002	4
SHAFT ASSY,PROPELLER (Ref # 3)	39158-1002	4
COUPLING,PROPELLER SF (Ref # 4)	42034-1012	4
CIRCLIP, 20MM (Ref # 5)	480J2000	4
PIN-DOWEL,4X6 (Ref # 6)	610A0406	4
"O" RING,20.5MM (Ref # 7)	92055-1029	4
SPRING,PROPELLER SHAF (Ref # 8)	92081-1183	4
BOOT (Ref # 9)	49006-1026	4
NUT,10MM (Ref # 10)	92015-1415	4
CLAMP,BOOT FITTING (Ref # 11)	92037-1112	4