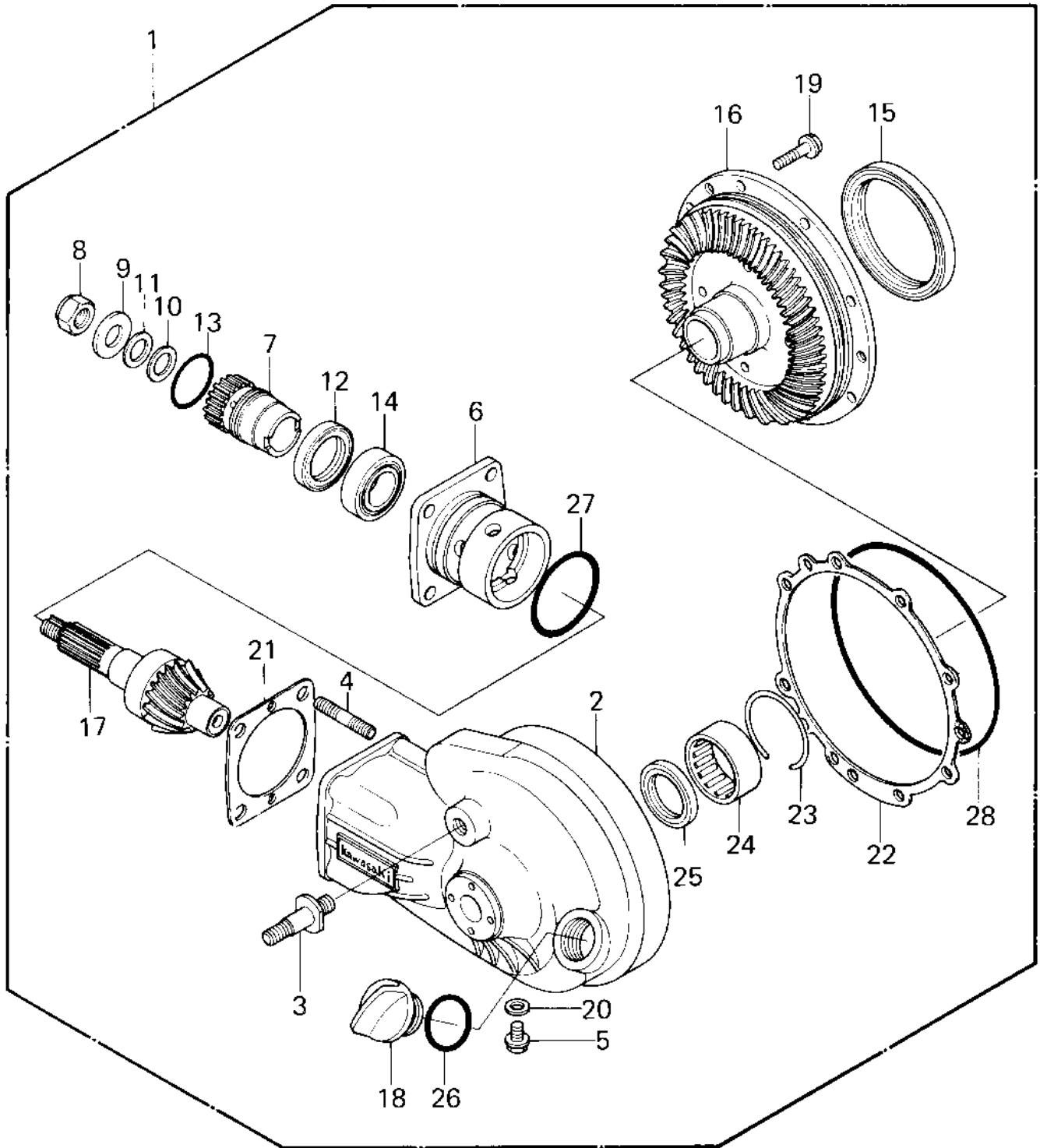


1979 Shaft PARTS DIAGRAM

FINAL GEARS



1979 Shaft PARTS LIST

FINAL GEARS

ITEM NAME	PART NUMBER	QUANTITY
GEAR ASSY,FINAL (Ref # 1)	13101-1005	1
CASE ASSY,FINAL GEAR (Ref # 2-4)	11021-1008	1
STUD (Ref # 3)	92004-1020	1
STUD,10X30 (Ref # 4)	92004-1024	4
BOLT,FLANGE (Ref # 5)	130B0812	1
HOUSING,BEARING (Ref # 6)	41046-1009	1
COUPLING,PINION GEAR (Ref # 7)	42034-1013	1
NUT,16M/M (Ref # 8)	92015-1059	1
WASHER (Ref # 9)	92022-1105	1
SHIM (Ref # 10)	92025-1027	AR
SHIM (Ref # 10)	92025-1028	AR
SHIM (Ref # 10)	92025-1029	AR
SHIM (Ref # 10)	92025-1030	AR
SHIM (Ref # 10)	92025-1031	AR
SHIM (Ref # 11)	92025-1032	AR
SHIM (Ref # 11)	92025-1033	AR
SHIM (Ref # 11)	92025-1034	AR
SHIM (Ref # 11)	92025-1035	AR
SHIM (Ref # 11)	92025-1036	AR
SHIM,0.10T (Ref # 11)	92025-1065	AR
SHIM,0.70T (Ref # 11)	92025-1069	AR
SHIM,0.80T (Ref # 11)	92025-1070	AR
SHIM,1.00T (Ref # 11)	92025-1071	AR
OIL SEAL,SC32487 (Ref # 12)	92049-1033	1
"O" RING,I.D=32.7MM (Ref # 13)	92055-1037	1
BRG,ROLLER,4T-32005 (Ref # 14)	92116-1004	1
OIL SEAL,S-831009HS (Ref # 15)	92049-1034	1
GEAR SET,FINAL BEVEL (Ref # 15-17)	13101-5028	1
CAP (Ref # 18)	16115-1003	1

1979 Shaft PARTS LIST

FINAL GEARS

ITEM NAME	PART NUMBER	QUANTITY
BOLT,8X28 (Ref # 19)	92001-1095	8
WASHER (Ref # 20)	92022-1086	1
SHIM,0.15T (Ref # 21)	92025-1052	AR
SHIM,0.50T (Ref # 21)	92025-1053	AR
SHIM,0.60T (Ref # 21)	92025-1054	AR
SHIM,0.70T (Ref # 21)	92025-1055	AR
SHIM,0.80T (Ref # 21)	92025-1056	AR
SHIM,0.90T (Ref # 21)	92025-1057	AR
SHIM,1.00T (Ref # 21)	92025-1058	AR
SHIM,1.20T (Ref # 21)	92025-1059	AR
SHIM,0.15T (Ref # 22)	92025-1060	AR
SHIM,0.50T (Ref # 22)	92025-1061	AR
SHIM,0.60T (Ref # 22)	92025-1062	AR
SHIM,0.70T (Ref # 22)	92025-1063	AR
SHIM,0.80T (Ref # 22)	92025-1064	AR
SHIM,0.10T (Ref # 22)	92025-1065	AR
SHIM,1.00T (Ref # 22)	92025-1066	AR
SHIM,1.20T (Ref # 22)	92025-1067	AR
RING,SNAP (Ref # 23)	92033-1020	1
BEARING (Ref # 24)	92046-1020	1
OIL SEAL (Ref # 25)	92049-1025	1
"0" RING,31MM (Ref # 26)	92055-049	1
"0" RING,I.D=57.6MM (Ref # 27)	92055-1038	1
"0" RING,I.D=150.4MM (Ref # 28)	92055-1039	1