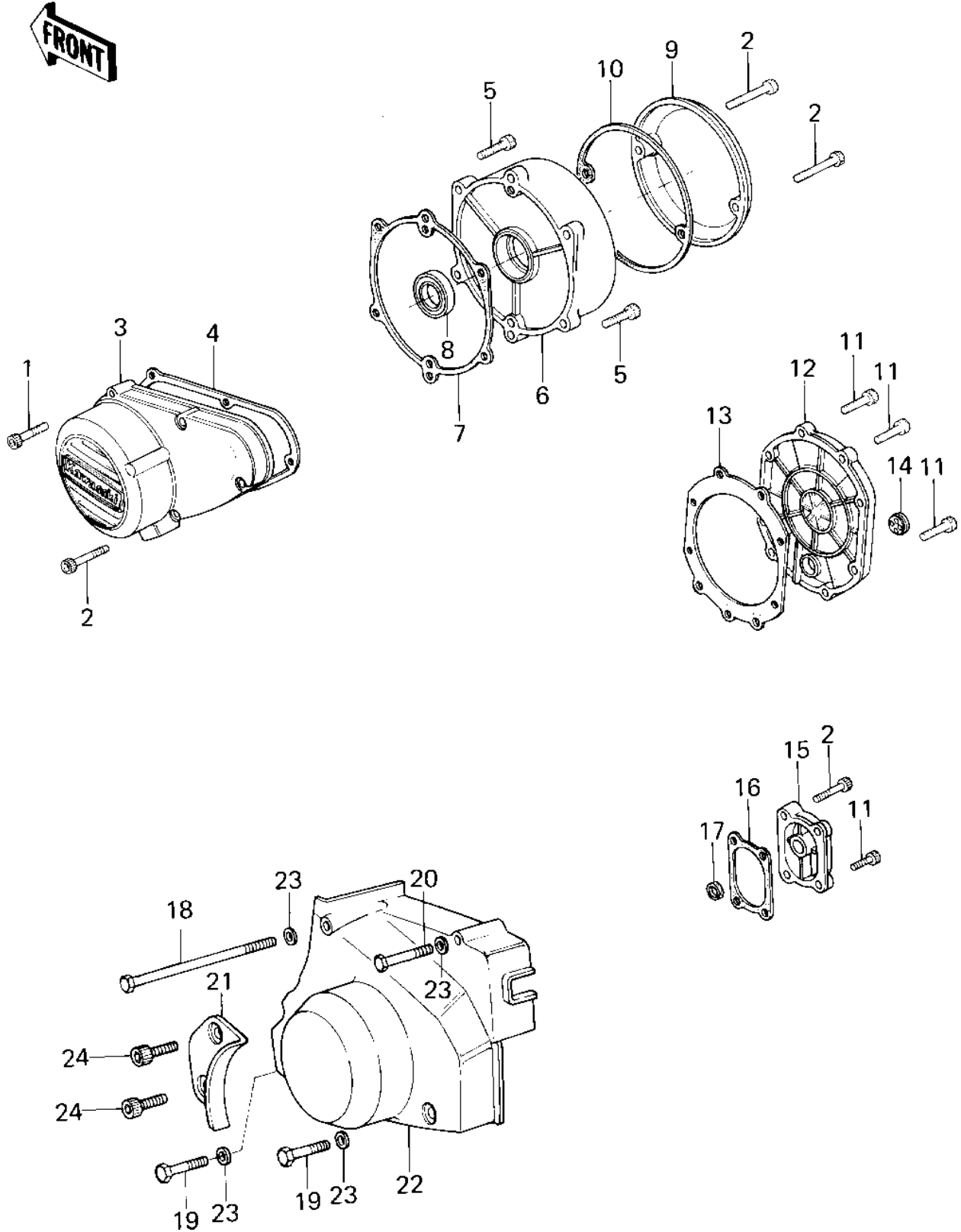


1980 Shaft PARTS DIAGRAM

ENGINE COVERS



1980 Shaft PARTS LIST

ENGINE COVERS

ITEM NAME	PART NUMBER	QUANTITY
BOLT,SOCKET,6X30 (Ref # 1)	120P0630	4
BOLT,SOCKET,6X40 (Ref # 2)	120P0640	4
COVER,GENERATOR (Ref # 3)	14031-1015	4
GASKET,GENERATOR COVE (Ref # 4)	11060-1075	4
BOLT,SOCKET,6X22 (Ref # 5)	120P0622	4
COVER,R.H ENGINE (Ref # 6)	14032-083	4
GASKET,RH ENGINE COVE (Ref # 7)	11060-1071	4
OIL SEAL,S25407R (Ref # 8)	92050-047	4
COVER,CENTACK BREAKER (Ref # 9)	14025-1037	4
GASKET,POINT CAP (Ref # 10)	14050-006	4
BOLT,6X25 (Ref # 11)	120P0625	4
COVER,CLUTCH (Ref # 12)	14032-1006	4
GASKET,CLUTCH (Ref # 13)	14046-024	4
GAUGE,OIL LEVEL (Ref # 14)	52015-004	4
COVER,KICKSTARTER, (Ref # 15)	14032-075-21	4
GASKET,KICK COVER (Ref # 16)	14046-025	4
OIL SEAL,SC22325 (Ref # 17)	92049-1048	4
BOLT-UPSET,6X125 (Ref # 18)	112G06125	4
BOLT-UPSET (Ref # 19)	112G0625	4
BOLT-UPSET (Ref # 20)	112G0645	4
CAP,CLUTCH RELEASE AJ (Ref # 21)	11012-1064	4
COVER,GEAR CASE (Ref # 22)	14025-1092	4
WASHER PLAIN 6MM (Ref # 23)	410B0600	4
BOLT,6X14 (Ref # 24)	120P0614	4