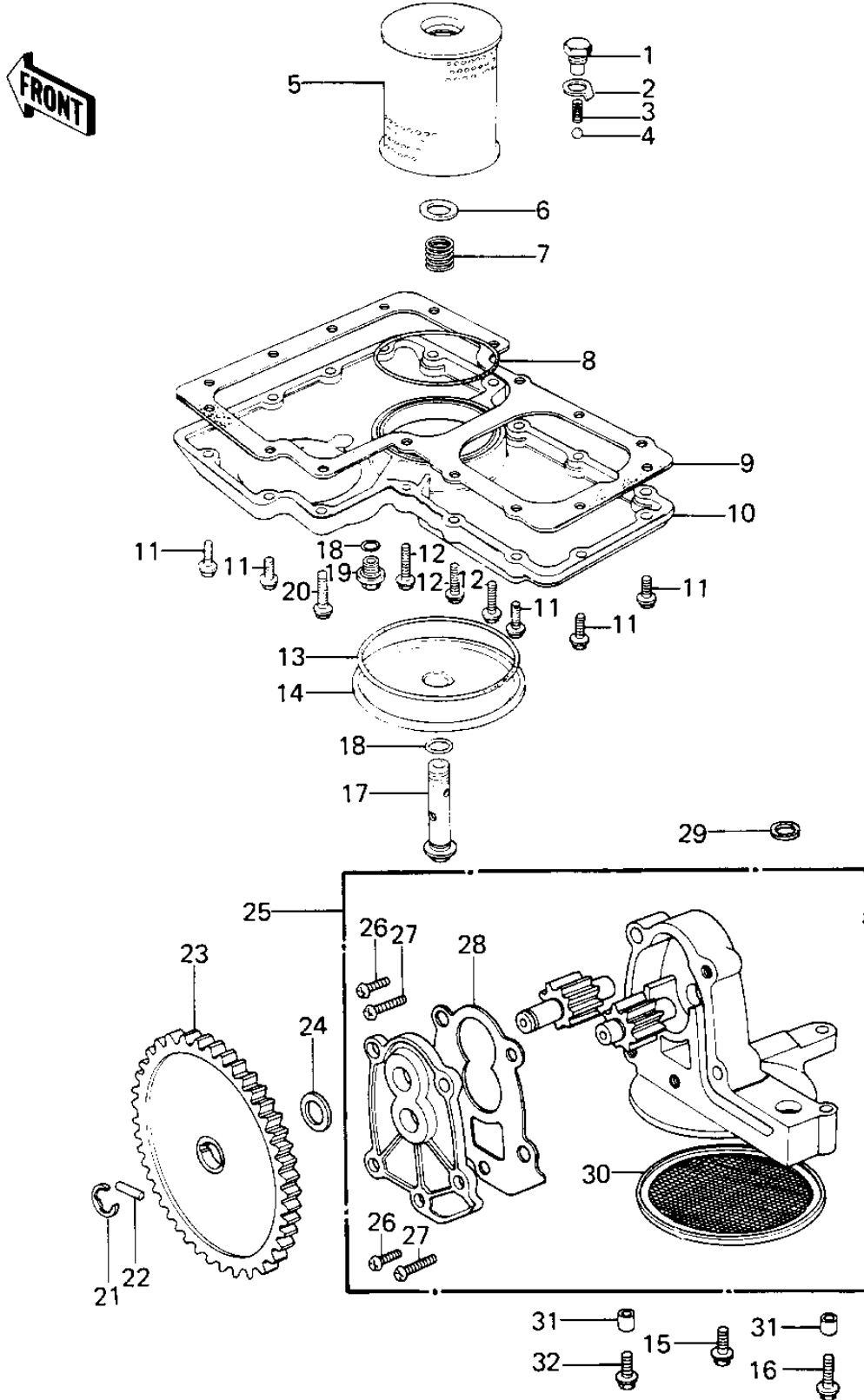


1980 Shaft PARTS DIAGRAM

OIL PUMP/OIL FILTER/OIL PAN



1980 Shaft PARTS LIST

OIL PUMP/OIL FILTER/OIL PAN

ITEM NAME	PART NUMBER	QUANTITY
BOLT (Ref # 1)	92003-095	4
WASHER,LOCK (Ref # 2)	92024-048	4
SPRING (Ref # 3)	92081-109	4
BALL STEEL 3/8' (Ref # 4)	600A1200	4
ELEMENT,OIL FILTER (Ref # 5)	16099-002	4
WASHER,20.5X30X1.0 (Ref # 6)	92022-1012	4
SPRING,OIL FILTER (Ref # 7)	92081-1018	4
"O" RING,91MM (Ref # 8)	92055-052	4
GASKET,OIL PAN (Ref # 9)	11060-1074	4
PAN-OIL (Ref # 10)	49034-5020	4
BOLT,FLANGED,6X25 (Ref # 11)	130G0625	4
BOLT, HEX HEAD, 6X34 (Ref # 12)	92003-159	4
"O" RING,105MM (Ref # 13)	671B25105	4
COVER,OIL FILTER (Ref # 14)	14025-1112	4
BOLT,FLANGED,6X22 (Ref # 15)	92001-1352	4
BOLT,HEX HEAD,6X45 (Ref # 16)	92001-165	4
BOLT,OIL FILTER (Ref # 17)	92001-1074	4
"O" RING,22MM (Ref # 18)	670B2022	4
PLUG,OIL DRAIN (Ref # 19)	92001-1183	4
BOLT-FLANGED,6X50 (Ref # 20)	130G0650	4
CIRCLIP,7MM (Ref # 21)	482K7000	4
PIN,DOWEL,3X14 (Ref # 22)	551A0314	4
GEAR,OIL PUMP 49T (Ref # 23)	16085-019	4
WASHER,LOCK,16MM (Ref # 24)	92026-080	4
PUMP-ASSY-OIL (Ref # 25)	16082-5001	4
SCREW PAN HEAD 6X18 (Ref # 26)	220B0618	4
SCREW PAN HEAD 6X28 (Ref # 27)	220B0628	4
GASKET,OIL PUMP (Ref # 28)	11009-1029	4
O RING,0.D=18MM (Ref # 29)	92055-048	4

1980 Shaft PARTS LIST

OIL PUMP/OIL FILTER/OIL PAN

ITEM NAME	PART NUMBER	QUANTITY
STRAINER,OIL PUMP (Ref # 30)	16111-004	4
PIN,DOWEL,8X10 (Ref # 31)	92043-1302	4
BOLT,HEX HEAD,6X35 (Ref # 32)	92001-164	4