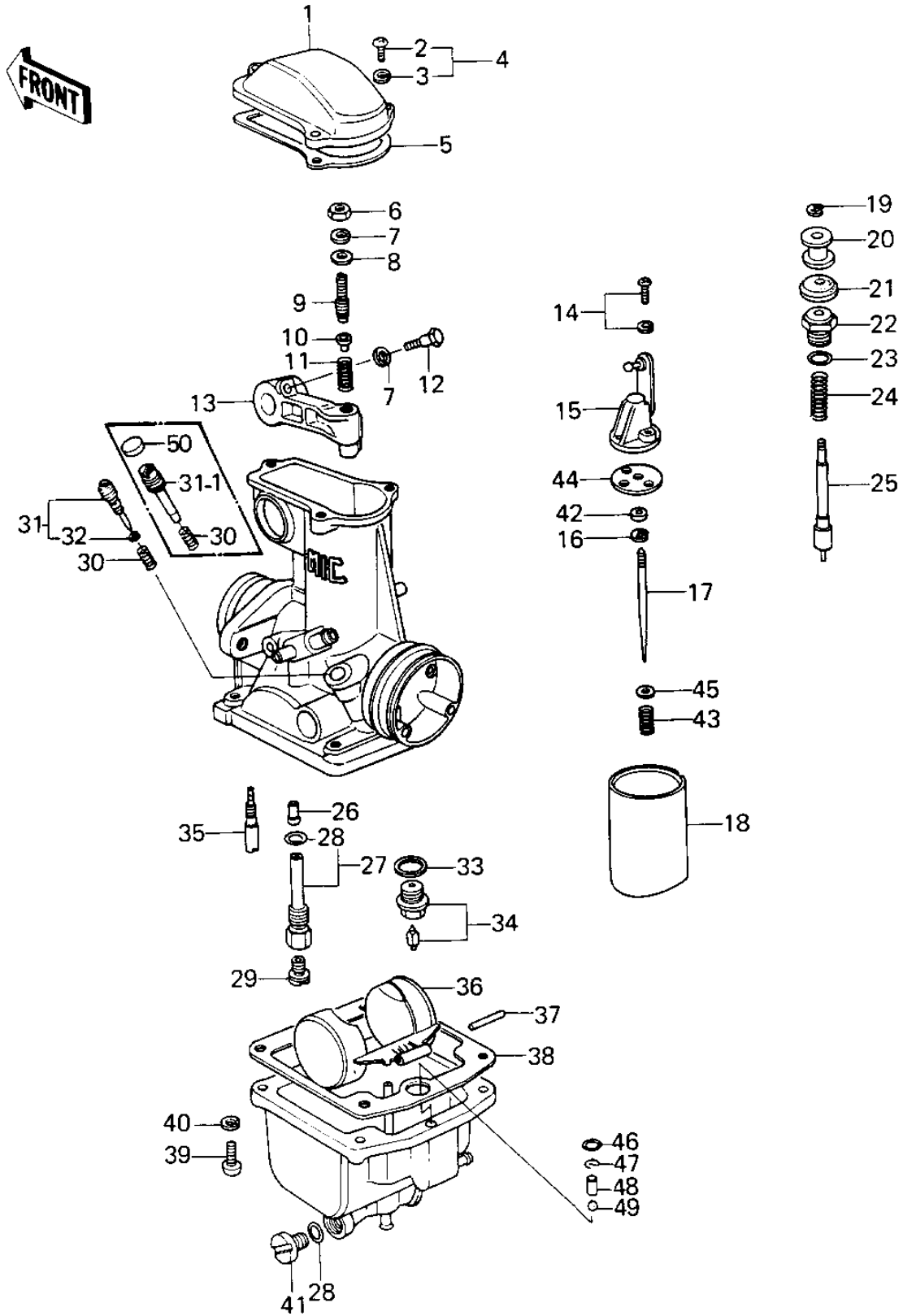


# 1979 Shaft PARTS DIAGRAM

CARBURETOR PARTS (USA)



# 1979 Shaft PARTS LIST

## CARBURETOR PARTS (USA)

| ITEM NAME                       | PART NUMBER | QUANTITY |
|---------------------------------|-------------|----------|
| TOP,MIXING CHAMBER (Ref # 1)    | 16005-027   | 4        |
| SCREW-PAN-CROS (Ref # 2)        | 220B0414    | 12       |
| WASHER SPRING 4MM (Ref # 3)     | 461F0400    | 12       |
| SCREW-PAN-WS-CROS (Ref # 4)     | 223B0414    | 12       |
| GASKET,CHAMBER TOP (Ref # 5)    | 16019-031   | 4        |
| NUT,5MM (Ref # 6)               | 16003-013   | 4        |
| NUT 5MM (Ref # 6)               | 312B0500    | AL       |
| WASHER SPRING 5MM (Ref # 7)     | 461F0500    | 8        |
| WASHER,PLAIN (Ref # 8)          | 16039-016   | 4        |
| SCREW,SLOTTED (Ref # 9)         | 16046-012   | 4        |
| SEAT,SPRING (Ref # 10)          | 16057-002   | 4        |
| SPRING (Ref # 11)               | 16040-026   | 4        |
| BOLT,HEX HEAD,5X14 (Ref # 12)   | 16067-006   | 4        |
| LEVER,THROTTLE (Ref # 13)       | 39075-1001  | 4        |
| SCREW,PAN HEAD,3X14 (Ref # 14)  | 16033-031   | 8        |
| BRACKET,THROTTLE VLV (Ref # 15) | 11034-1238  | 4        |
| CIRCLIP (Ref # 16)              | 16008-010   | 4        |
| JET NEEDLE,5CN17 (Ref # 17)     | 16009-1032  | 4        |
| JET NEEDLE,5CN29 (Ref # 17)     | 16009-1046  | 4        |
| VALVE,THROTTLE,CA2.0 (Ref # 18) | 16025-1026  | 4        |
| CIRCLIP (Ref # 19)              | 16076-003   | 4        |
| COLLAR (Ref # 20)               | 16073-014   | 4        |
| CAP,STARTER PLUNGER (Ref # 21)  | 16039-015   | 4        |
| CAP,STARTER PLUNGER (Ref # 22)  | 16012-015   | 4        |
| "O" RING,9MM (Ref # 23)         | 670B1509    | 4        |
| SPRING,STARTER PLUG (Ref # 24)  | 16013-008   | 4        |
| PLUNGER,STARTER (Ref # 25)      | 16016-021   | 4        |
| NEEDLE JET,AO-4 (Ref # 26)      | 16017-1035  | 4        |
| PIPE,BLEED (Ref # 27)           | 49122-1001  | 4        |

# 1979 Shaft PARTS LIST

## CARBURETOR PARTS (USA)

| ITEM NAME                          | PART NUMBER | QUANTITY |
|------------------------------------|-------------|----------|
| MAIN JET,#110R (Ref # 29)          | 92063-1038  | 4        |
| JET-MAIN NO 107.5R (Ref # 29)      | 92063-073   | (4       |
| MAIN JET,#A105R (Ref # 29)         | 92063-1042  | (4       |
| JET-MAIN NO 112.5R (Ref # 29)      | 92063-075   | (4       |
| JET-MAIN NO 115R (Ref # 29)        | 92063-076   | (4       |
| SPRING-THR STOP SCREW (Ref # 30)   | 16022-007   | 4        |
| SCREW,PILOT ADJUSTING (Ref # 31)   | 16014-1004  | 4        |
| SCREW,PILOT ADJUSTING (Ref # 31-1) | 16014-1020  | 4        |
| "O" RING (Ref # 32)                | 16038-022   | 4        |
| WASHER FLOAT VLV SEAT (Ref # 33)   | 16029-004   | 4        |
| FLOAT VALVE ASSY (Ref # 34)        | 16030-027   | 4        |
| PILOT JET,#A15 (Ref # 35)          | 92064-1017  | 4        |
| FLOAT (Ref # 36)                   | 16031-031   | 4        |
| FLOAT PIN (Ref # 37)               | 16032-003   | 4        |
| GASKET,FLOAT CHAMBER (Ref # 38)    | 11009-1562  | 4        |
| SCREW PAN HEAD 4X16 (Ref # 39)     | 220B0416    | 16       |
| WASHER SPRING 4MM (Ref # 40)       | 461F0400    | 16       |
| SCREW,GUIDE (Ref # 41)             | 16049-007   | 4        |
| RING,JET NEEDLE (Ref # 42)         | 92027-1103  | 4        |
| SPRING,JET NEEDLE (Ref # 43)       | 92081-1072  | 4        |
| PLATE,JET NEEDLE (Ref # 44)        | 13169-1107  | 4        |
| WASHER,THROTTLE VALVE (Ref # 45)   | 92022-1024  | 4        |
| "O" RING,CHECK VALVE (Ref # 46)    | 92055-1059  | 4        |
| CLAMP,SPRING,CHECK VL (Ref # 47)   | 92037-1123  | 4        |
| WEIGHT,PUMP,CHECK VLV (Ref # 48)   | 13042-1004  | 4        |
| BALL,STEEL,CHECK VALV (Ref # 49)   | 92140-1003  | 4        |
| PLUG,PILOT SCREW (Ref # 50)        | 92066-1051  | 4        |