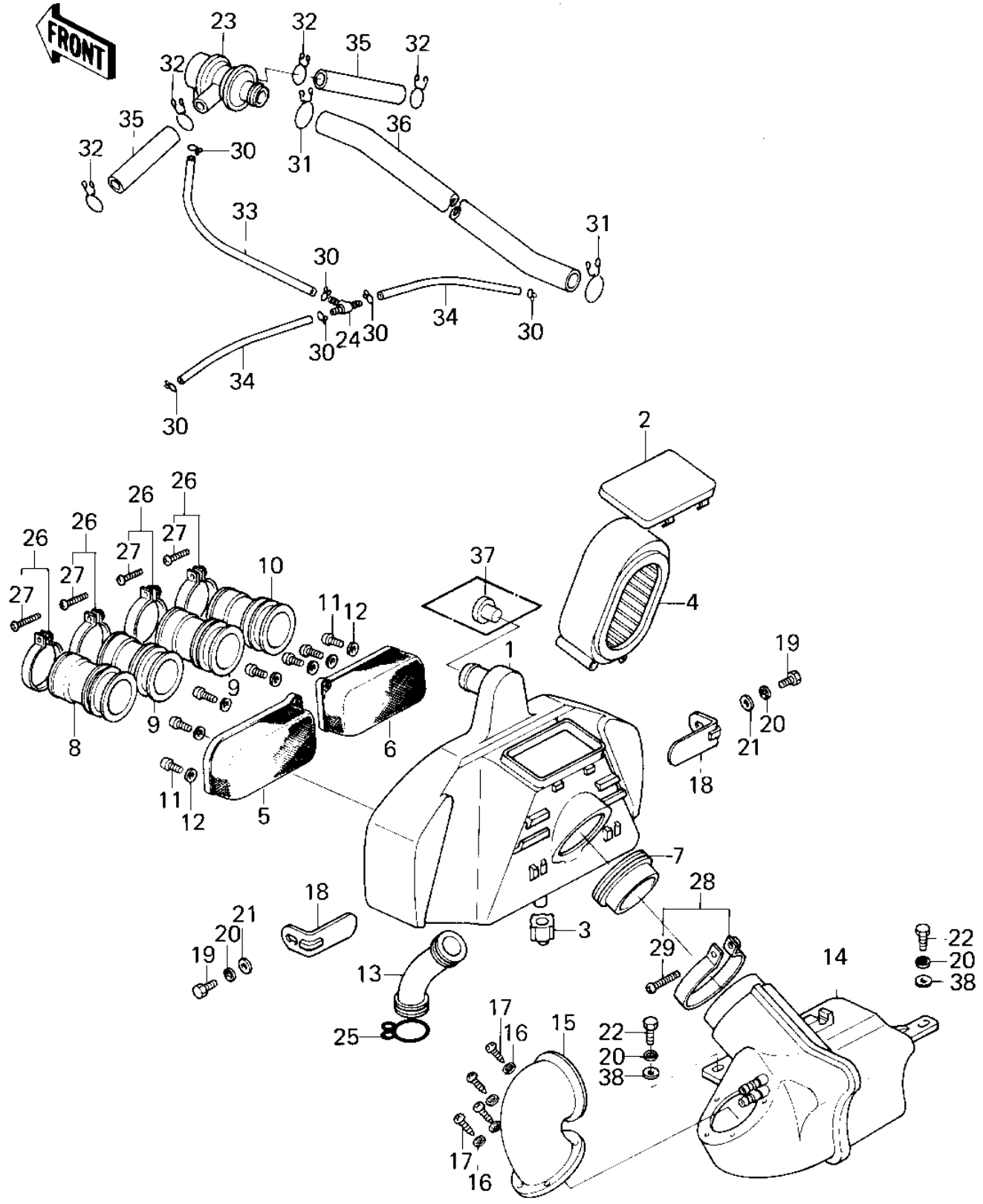


# 1980 Shaft PARTS DIAGRAM

AIR CLEANER



# 1980 Shaft PARTS LIST

## AIR CLEANER

ITEM NAME	PART NUMBER	QUANTITY
BODY,AIR CLEANER (Ref # 1)	11011-1055	1
CAP,AIR CLEANER (Ref # 2)	11012-1066	1
CAP,DRAIN (Ref # 3)	11012-1083	1
ELEMENT,AIR CLNR (Ref # 4)	11013-1015	1
PLATE,CARBURETOR HOLD (Ref # 5)	11040-002	1
PLATE,CARBURETOR HOLD (Ref # 6)	11040-003	1
DUCT,AIR CLEANER (Ref # 7)	14073-1018	1
DUCT,AIR CLEANER,#1 (Ref # 8)	14073-1022	1
DUCT,AIR CLEANER,#2,3 (Ref # 9)	14073-1023	2
DUCT,AIR CLEANER,#4 (Ref # 10)	14073-1024	1
SCREW-PAN-CROS (Ref # 11)	220C0412	8
WASHER,PLAIN,4M/M (Ref # 12)	92022-1041	8
TUBE,BLOW-BY (Ref # 13)	92059-1060	1
BODY,SILENCER (Ref # 14)	11011-1027	1
DUCT,SILENCER (Ref # 15)	14073-1016	1
WASHER PLAIN 5MM (Ref # 16)	411B0500	4
SCREW,5X12 (Ref # 17)	92009-1051	4
BRACKET,AIR CLEANER (Ref # 18)	11034-1333	2
BOLT-UPSET,6X12 (Ref # 19)	112G0612	2
WASHER SPRING 6MM (Ref # 20)	461F0600	4
WASHER PLAIN 6MM (Ref # 21)	411B0600	2
BOLT-UPSET,6X16 (Ref # 22)	112G0616	2
CLAMP BREATHER PIPE (Ref # 25)	92037-028	1
CLAMP-INLET PIPE (Ref # 26)	92037-061	4
SCREW,PAN HEAD (Ref # 27)	92011-037	4
CLAMP-AIR CLEANER (Ref # 28)	92037-068	1
SCREW PAN HEAD 6X35 (Ref # 29)	220B0635	1
PLUG (Ref # 37)	92066-1040	1
WASHER,6.5X16X2 (Ref # 38)	92022-1565	2