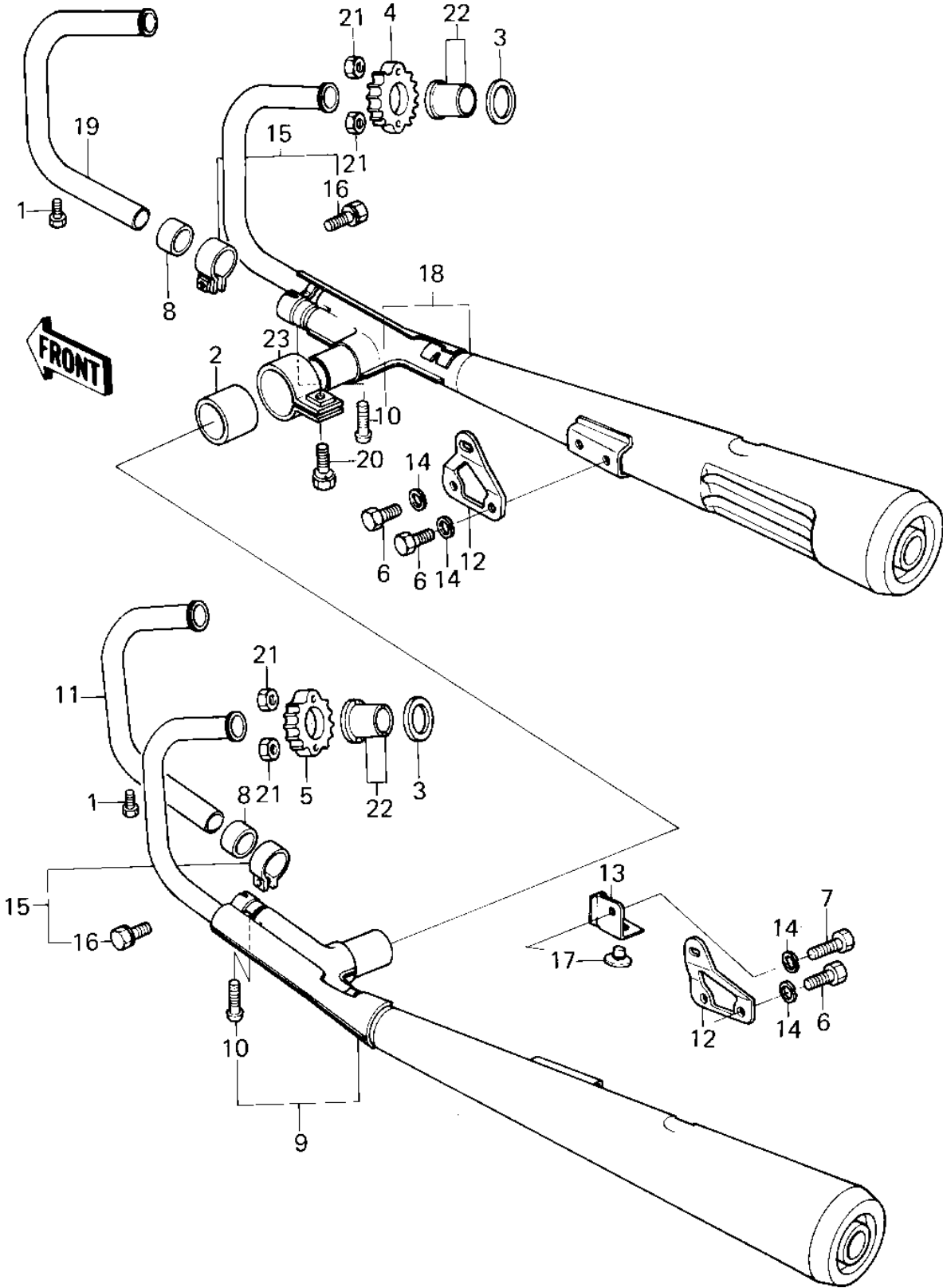


1979 Shaft PARTS DIAGRAM

MUFFLERS



1979 Shaft PARTS LIST

MUFFLERS

| ITEM NAME | PART NUMBER | QUANTITY |
|----------------------------------|-------------|----------|
| BOLT (6X10) (Ref # 1) | 110R0610 | 4 |
| GASKET,MUFFLER CONNEC (Ref # 2) | 11009-1035 | 1 |
| GASKET,EXHAUST PIPE H (Ref # 3) | 11009-1906 | 4 |
| HOLDER,EXHAUST PIPE, (Ref # 4) | 18069-1004 | 2 |
| HOLDER,EXHAUST PIPE, (Ref # 5) | 18069-1005 | 2 |
| BOLT-SMALL-UPSET,8X16 (Ref # 6) | 115G0816 | 3 |
| BOLT-SMALL-UPSET,8X18 (Ref # 7) | 115G0818 | 1 |
| GASKET,MANIFOLD EXHAU (Ref # 8) | 11060-1068 | 2 |
| MUFFLER ASSY,L.H (Ref # 9) | 18001-1136 | 1 |
| SCREW PAN HEAD 6X40 (Ref # 10) | 220B0640 | 2 |
| PIPE,EXHAUST,L.H,INSI (Ref # 11) | 18049-1078 | 1 |
| BRACKET,MUFFLER (Ref # 12) | 32069-1035 | 2 |
| STOPPER,MUFFLER (Ref # 13) | 32085-1036 | 1 |
| WASHER SPRING 8MM (Ref # 14) | 461F0800 | 4 |
| CLAMP,MUFFLER (Ref # 15) | 92037-1258 | 2 |
| BOLT,8X30 (Ref # 16) | 92001-1379 | 2 |
| DAMPER RUBB MAIN STAD (Ref # 17) | 92075-015 | 1 |
| MUFFLER ASSY,R.H (Ref # 18) | 18001-1137 | 1 |
| PIPE,EXHAUST,R.H,INSI (Ref # 19) | 18049-1079 | 1 |
| BOLT,HEX HEAD,8X35 (Ref # 20) | 92001-1094 | 1 |
| NUT,LOCK,8MM (Ref # 21) | 92017-013 | 8 |
| INSERT,EXHAUST PIPE (Ref # 22) | 92027-170 | 8 |
| CLAMP,MUFFLER CONNECT (Ref # 23) | 92037-1055 | 1 |