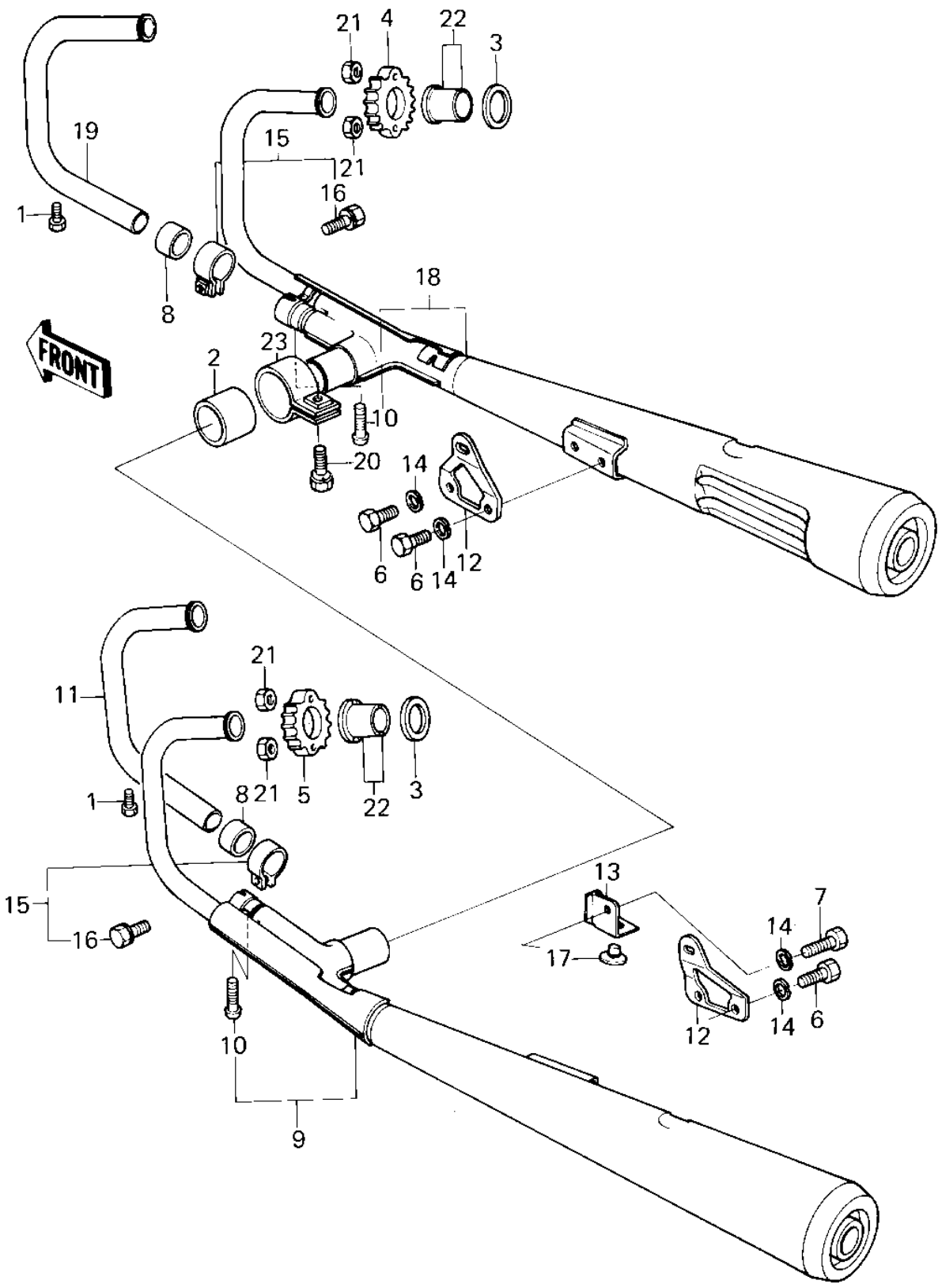


1980 Shaft PARTS DIAGRAM

MUFFLERS



1980 Shaft PARTS LIST

MUFFLERS

ITEM NAME	PART NUMBER	QUANTITY
GASKET,MUFFLER CONNEC (Ref # 2)	11009-1035	1
GASKET,EXHAUST PIPE H (Ref # 3)	11009-1906	4
HOLDER,EXHAUST PIPE, (Ref # 4)	18069-1004	2
HOLDER,EXHAUST PIPE, (Ref # 5)	18069-1005	2
BOLT-SMALL-UPSET,8X16 (Ref # 6)	115G0816	3
BOLT-SMALL-UPSET,8X18 (Ref # 7)	115G0818	1
GASKET,MANIFOLD EXHAU (Ref # 8)	11060-1068	2
18001-1136 (Canada) (Ref # 9)	18001-1067	1
SCREW PAN HEAD 6X40 (Ref # 10)	220B0640	2
PIPE,EXHAUST,L.H,INSI (Ref # 11)	18049-1078	1
BRACKET,MUFFLER (Ref # 12)	32069-1035	2
STOPPER,MUFFLER (Ref # 13)	32085-1036	1
WASHER SPRING 8MM (Ref # 14)	461F0800	4
CLAMP,MUFFLER (Ref # 15)	92037-1258	2
BOLT,8X30 (Ref # 16)	92001-1379	2
DAMPER RUBB MAIN STAD (Ref # 17)	92075-015	1
18001-1137 (Canada) (Ref # 18)	18001-1068	1
PIPE,EXHAUST,R.H,INSI (Ref # 19)	18049-1079	1
BOLT,HEX HEAD,8X35 (Ref # 20)	92001-1094	1
NUT,LOCK,8MM (Ref # 21)	92017-013	8
INSERT,EXHAUST PIPE (Ref # 22)	92027-170	8
CLAMP,MUFFLER CONNECT (Ref # 23)	92037-1055	1