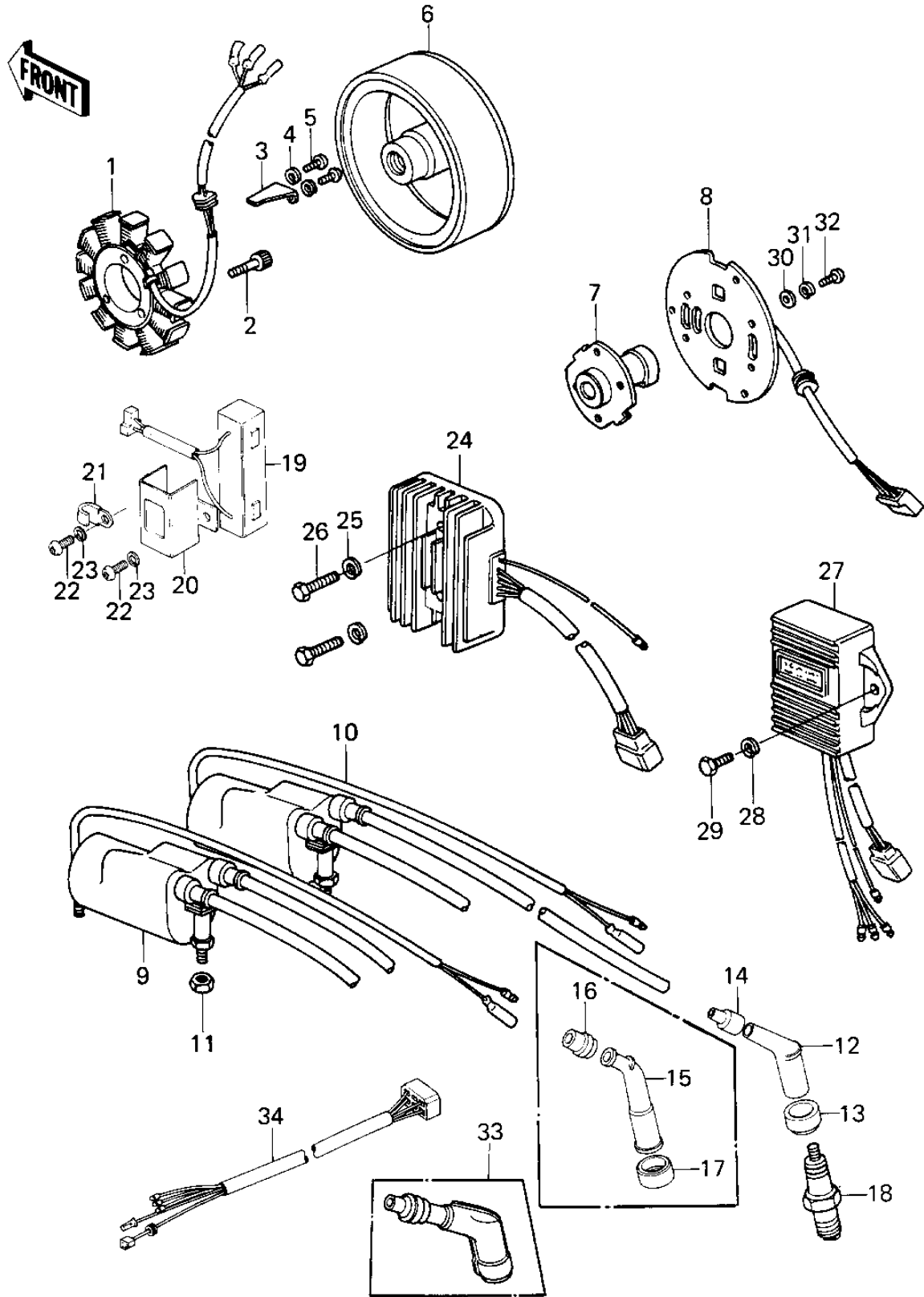


1980 Shaft PARTS DIAGRAM

IGNITION/GENERATOR/REGULATOR



1980 Shaft PARTS LIST

IGNITION/GENERATOR/REGULATOR

ITEM NAME	PART NUMBER	QUANTITY
STATOR ASSY (Ref # 1)	21003-1015	1
BOLT,SOCKET,5X25 (Ref # 2)	120P0525A	3
CLAMP,GENERATOR WIRE (Ref # 3)	92037-1122	1
WASHER SPRING 5MM (Ref # 4)	461F0500	2
SCREW PAN HEAD 5X12 (Ref # 5)	220B0512	2
ROTOR (Ref # 6)	21007-1011	1
ADVANCER ASSY SPARK (Canada) (Ref # 7)	21148-1006	1
COIL-PULSING (Ref # 8)	59026-1012	1
COIL,IGNITION,#1 & #4 (Ref # 9)	21121-1021	1
COIL,IGNITION,#2 & #3 (Ref # 10)	21121-1022	1
NUT,LOCK 6MM (Ref # 11)	92017-014	4
SPARK PLUG B8ES (Ref # 18)	B8ES	4
RESISTOR (Ref # 19)	28018-1020	1
BRACKET,RESISTOR (Ref # 20)	11034-1555	1
CLAMP,WIRING HARNESS (Ref # 21)	21126-008	1
SCREW PAN HEAD 6X12 (Ref # 22)	220B0612	2
WASHER SPRING 6MM (Ref # 23)	461F0600	2
REGULATOR,VOLTAGE (Ref # 24)	21066-1008	1
WASHER SPRING 6MM (Ref # 25)	461F0600	2
BOLT-UPSET (Ref # 26)	112G0625	2
IGNITER (Ref # 27)	21119-5001	1
IGNITER (Ref # 27)	21119-5001	1
WASHER SPRING 6MM (Ref # 28)	461F0600	2
BOLT-UPSET 6X14 (Ref # 29)	112B0614	2
WASHER PLAIN 5MM (Ref # 30)	410B0500	3
WASHER SPRING 5MM (Ref # 31)	461F0500	3
SCREW PAN HEAD 5X12 (Ref # 32)	220B0512	3
CAP,SPARK PLUG (Ref # 33)	21160-005	4
WIRING HARNESS,LEAD (Ref # 34)	26001-1071	1