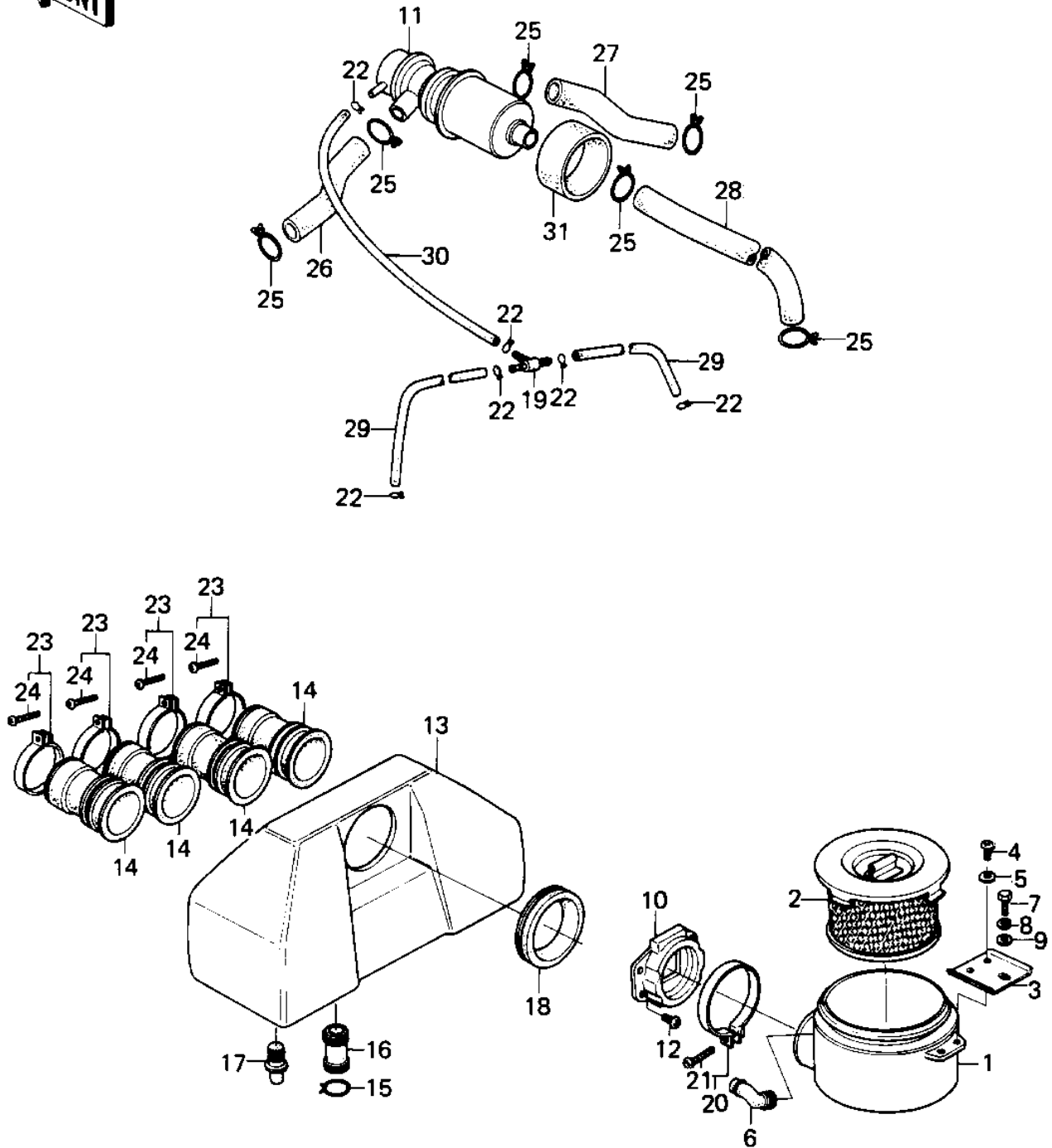


# 1980 Classic PARTS DIAGRAM

## AIR CLEANER



# 1980 Classic PARTS LIST

## AIR CLEANER

ITEM NAME	PART NUMBER	QUANTITY
BODY,AIR CLEANER (Ref # 1)	11011-1053	1
ELEMENT,AIR CLNR (Ref # 2)	11013-1032	1
BRACKET,AIR CLEANER (Ref # 3)	11034-1737	1
SCREW PAN HEAD 6X14 (Ref # 4)	220B0614	2
WASHER PLAIN 6MM (Ref # 5)	410B0600	2
TUBE,AIR SWITTING VLV (Ref # 6)	92059-1136	1
BOLT-UPSET,6X12 (Ref # 7)	112G0612	1
WASHER SPRING 6MM (Ref # 8)	461F0600	1
WASHER PLAIN 6MM (Ref # 9)	411B0600	1
HOLDER,AIR FLOW METER (Ref # 10)	16065-1032	1
VALVE ASSY,AIR SWITNG (Ref # 11)	16126-1015	1
SCREW PAN HEAD 6X12 (Ref # 12)	220B0612	4
CASE,SURGE TANK (Ref # 13)	11011-1054	1
DUCT,THROTTLE VALVE (Ref # 14)	14073-1042	4
CLAMP BREATHER PIPE (Ref # 15)	92037-028	1
TUBE,BREATHER (Ref # 16)	92059-1119	1
PLUG (Ref # 17)	92066-1048	1
SEAL,AIR FLOW METER (Ref # 18)	92093-1043	1
FITTING,TUBE (Ref # 19)	92005-1017	1
CLAMP-AIR CLEANER (Ref # 20)	92037-068	1
SCREW PAN HEAD 6X35 (Ref # 21)	220B0635	1
CLAMP-PIPE (Ref # 22)	92037-072	6
CLAMP,HOLDER (Ref # 23)	92037-077	4
SCREW,PAN HEAD (Ref # 24)	92011-037	4
CLAMP,BREATHER TUBE (Ref # 25)	92037-213	6
TUBE (Ref # 26)	92059-1065	1
TUBE (Ref # 27)	92059-1066	1
TUBE,14X20X480 (Ref # 28)	92059-1124	1
TUBE,4X9X110 (Ref # 29)	92059-1131	2

# 1980 Classic PARTS LIST

## AIR CLEANER

ITEM NAME	PART NUMBER	QUANTITY
TUBE,VACUUM,LONG (Ref # 30)	92059-1162	1
DAMPER,AIR SWITCHNG,V (Ref # 31)	92075-1195	1