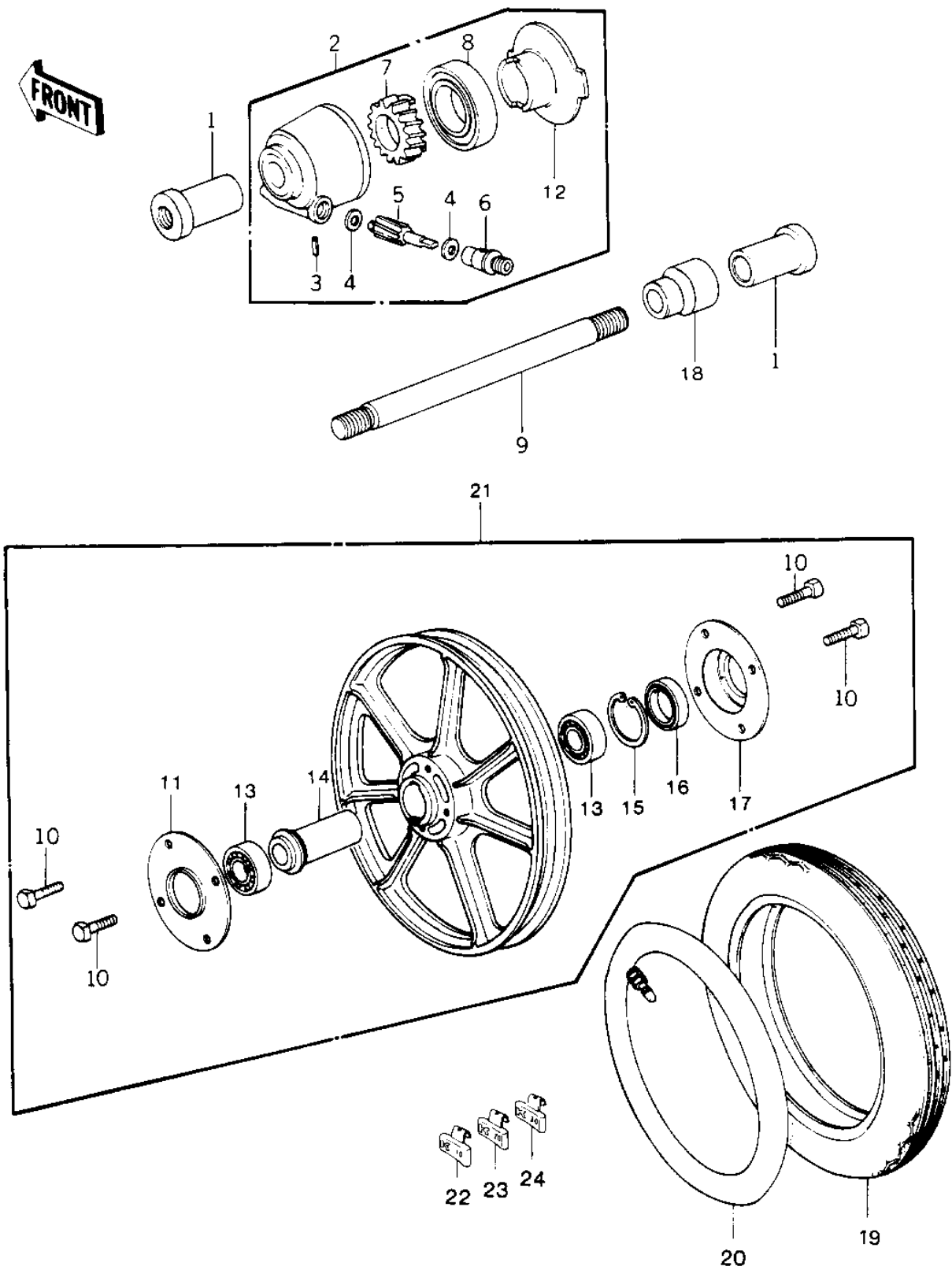


1980 Classic PARTS DIAGRAM

FRONT WHEEL/TIRE/HUB



1980 Classic PARTS LIST

FRONT WHEEL/TIRE/HUB

ITEM NAME	PART NUMBER	QUANTITY
COLLAR,FRONT AXLE (Ref # 1)	41069-033	2
GEAR BOX ASSY,SPEEDO (Ref # 2)	41078-1012	1
PIN,SPRING (Ref # 3)	41082-001	1
WASHER THRST SPD PINI (Ref # 4)	41063-001	2
PINION,SPEEDOMETER (Ref # 5)	41060-017	1
BUSHING,SPEEDOMET CBL (Ref # 6)	92028-1066	1
GEAR,SPEEDOMETER (Ref # 7)	41059-026	1
OIL SEAL,BJN30427-C3 (Ref # 8)	92049-1057	1
AXLE,FRONT (Ref # 9)	41068-049	1
BOLT,HEX HEAD,10X30 (Ref # 10)	92001-1173	8
DUST COVER (Ref # 11)	41042-014	1
RECEIVER,GEAR (Ref # 12)	41064-013	1
BRG,BALL,#6203ZZC3 (Ref # 13)	601B6203ZZ	2
COLLAR,BRG (Ref # 14)	41039-028	1
RING, SNAP,43.5M/M (Ref # 15)	92033-1040	1
OIL SEAL (Ref # 16)	654A254008	1
DUST COVER (Ref # 17)	41042-015	1
COLLAR,FRONT AXLE (Ref # 18)	41069-032	1
TIRE-FRONT (Ref # 19)	41021-071	1
TUBE 350/375/410-19 (Ref # 20)	41022-046	1
WHEEL ASSY-FRONT,GOLD (Ref # 21)	41073-1084	1
BALANCER-WHEEL,10G (Ref # 22)	41075-1011	AR
BALANCER-WHEEL,20G (Ref # 23)	41075-1012	AR
BALANCER-WHEEL,30G (Ref # 24)	41075-1013	AR