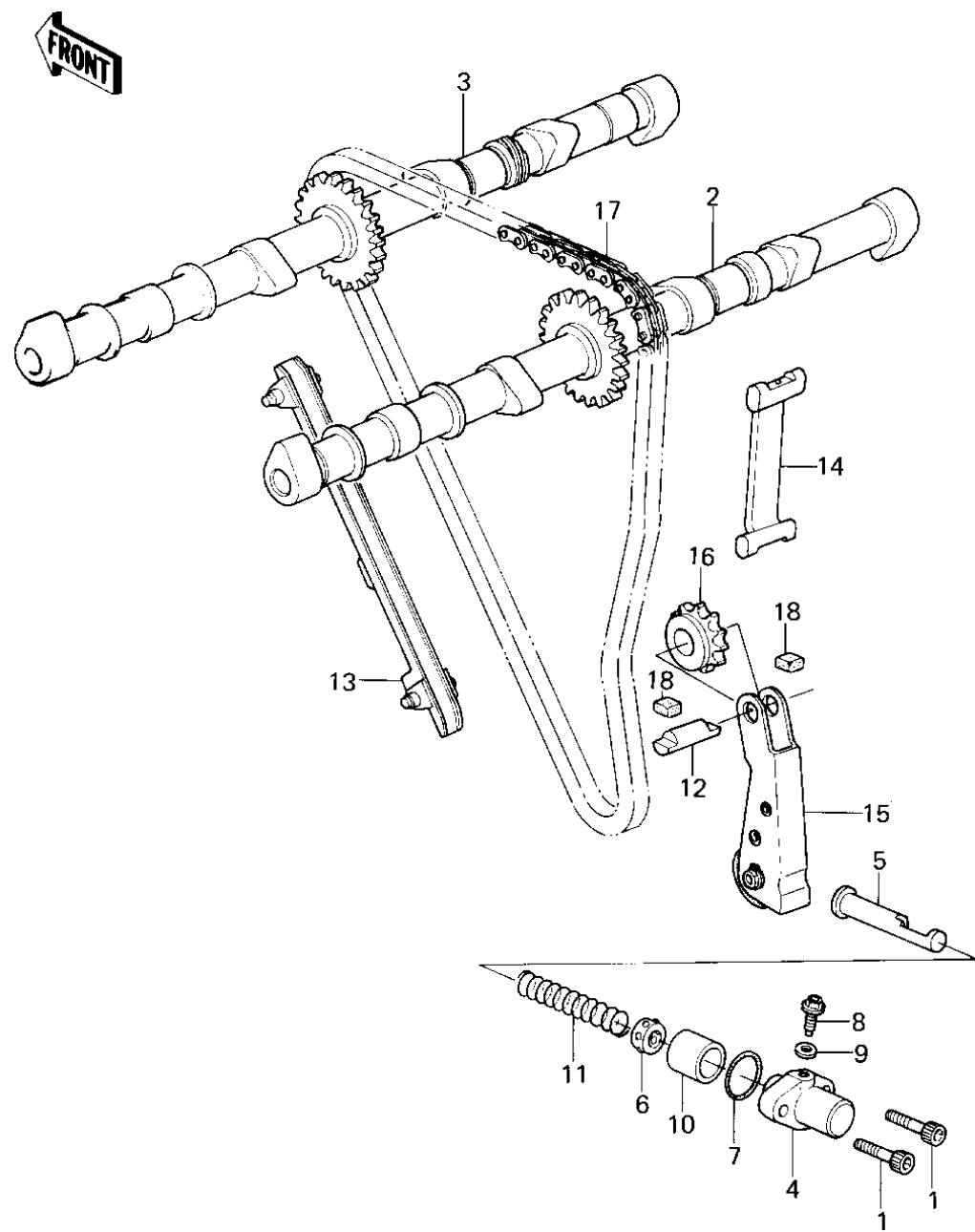


1980 KZ1300-B2 PARTS DIAGRAM

CAMSHAFTS/CHAIN/TENSIONER



1980 KZ1300-B2 PARTS LIST

CAMSHAFTS/CHAIN/TENSIONER

ITEM NAME	PART NUMBER	QUANTITY
BOLT,6X25 (Ref # 1)	120P0625	2
CAMSHAFT,VALVE,INTAKE (Ref # 2)	12044-1012	1
CAMSHAFT,VALVE,EXHUST (Ref # 3)	12044-1013	1
TENSIONER,CAM CHAIN (Ref # 4)	12049-1055	1
ROD,PUSH (Ref # 5)	13116-1015	1
RETAINER (Ref # 6)	14020-1002	1
"O" RING,22MM (Ref # 7)	670B2022	1
BELT,TENSIONER ADJUST (Ref # 8)	92001-1155	1
WASHER OIL PUMP BANJO (Ref # 9)	92022-077	1
COLLAR,TENSIONER (Ref # 10)	92027-1273	1
SPRING,TENSIONER (Ref # 11)	92081-1105	1
SHAFT,GUIDE ROLLER (Ref # 12)	12052-005	1
GUIDE,CHAIN,CAM,FRONT (Ref # 13)	12053-1024	1
GUIDE,CHAIN,CAM,REAR (Ref # 14)	12053-1025	1
GUIDE,CHAIN,TENSIONER (Ref # 15)	12053-1028	1
SPROCKET,CAM CHAIN (Ref # 16)	21053-1004	1
CHAIN,CAMSHAFT (Ref # 17)	92057-1018	1
RUBBER,GUIDE ROLLAR (Ref # 18)	92075-232	2