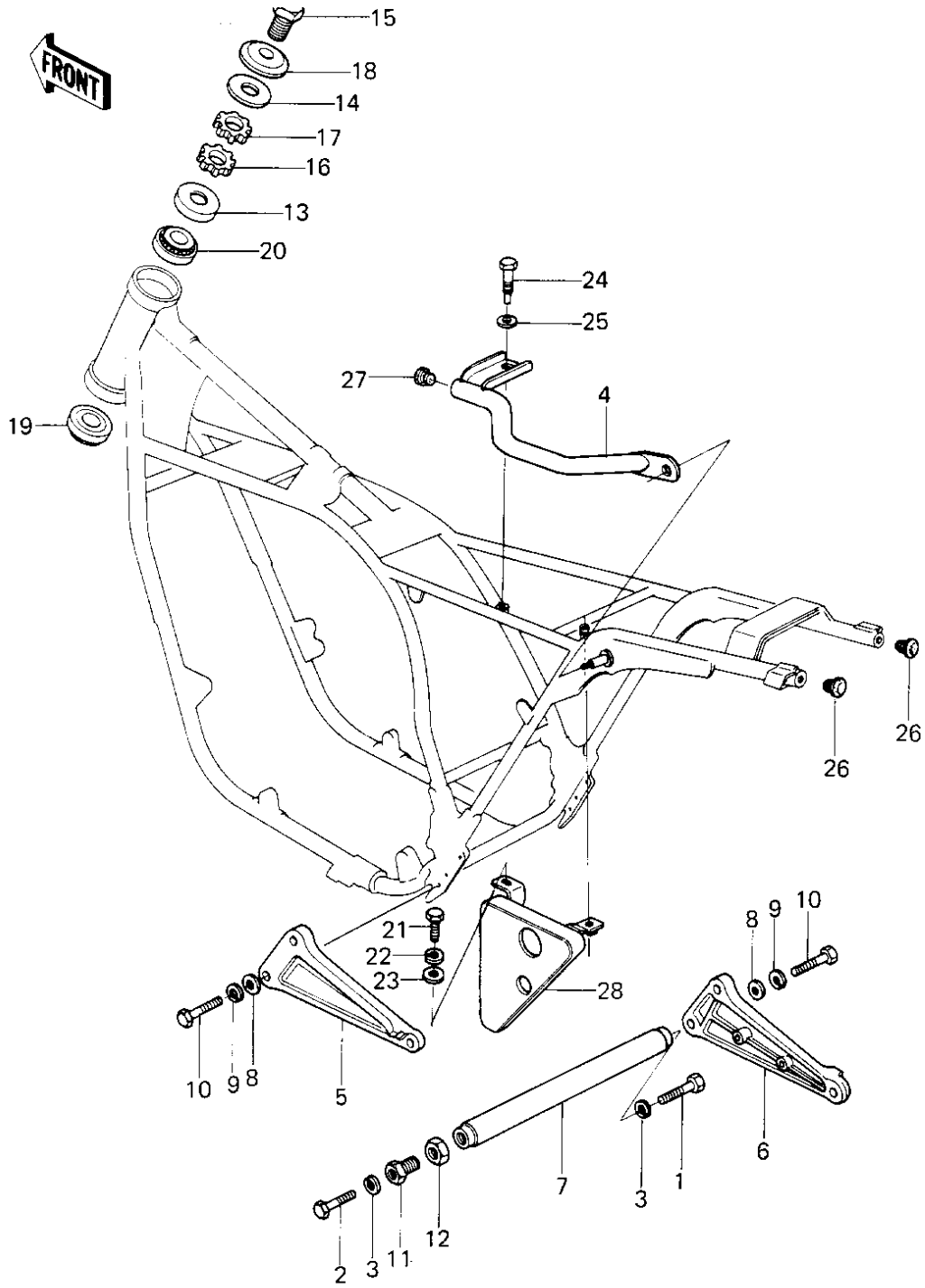


1980 KZ1300-B2 PARTS DIAGRAM

FRAME FITTINGS



1980 KZ1300-B2 PARTS LIST

FRAME FITTINGS

ITEM NAME	PART NUMBER	QUANTITY
BOLT,HEX HEAD,10X25 (Ref # 1)	113G1025	1
BOLT-UPSET,10X30 (Ref # 2)	112G1030	1
WASHER SPRING 10MM (Ref # 3)	461F1000	2
GRIP,FRAME (Ref # 4)	32109-1015	1
STAY,MUFFLER,L.H (Ref # 5)	35011-1019	1
STAY,MUFFLER,R.H (Ref # 6)	35011-1020	1
CROSSMEMBER (Ref # 7)	39042-1001	1
WASHER PLAIN 8MM (Ref # 8)	411B0800	4
WASHER SPRING 8MM (Ref # 9)	461F0800	4
BOLT,HEX HEAD,8X30 (Ref # 10)	92001-1142	4
BOLT,CROSSMEMBER FITT (Ref # 11)	92001-1216	1
NUT,CROSSMEMBER FITTI (Ref # 12)	92015-1086	1
CAP,STEERING STEM HEA (Ref # 13)	11012-1059	1
WASHER,WAVE (Ref # 14)	46100-003	1
BOLT,STEERG STEM HEAD (Ref # 15)	92007-031	1
NUT,STEERING STEM HEA (Ref # 16)	92015-1052	1
NUT,STEERING STEM HEA (Ref # 17)	92015-1069	1
WASHER,STEERG STM HD (Ref # 18)	92022-230	1
BEARING,ROLLER,32006 (Ref # 19)	92116-1008	1
BRG,ROLLER,HR320/28XJ (Ref # 20)	92116-1009	1
BOLT-UPSET,6X12 (Ref # 21)	112G0612	1
WASHER SPRING 6MM (Ref # 22)	461F0600	1
WASHER PLAIN 6MM (Ref # 23)	411B0600	1
BOLT,HEX HEAD,6X43.5 (Ref # 24)	92001-1312	1
WASHER,6.5X16X2 (Ref # 25)	92022-1565	1
PLUG,FRAME END (Ref # 26)	92066-1027	2
PLUG,FRAME END (Ref # 27)	92066-1034	1
COVER,SEAT LOCK (Ref # 28)	14025-1246	1
COVER,SEAT LOCK (Ref # 28)	14025-1246	1