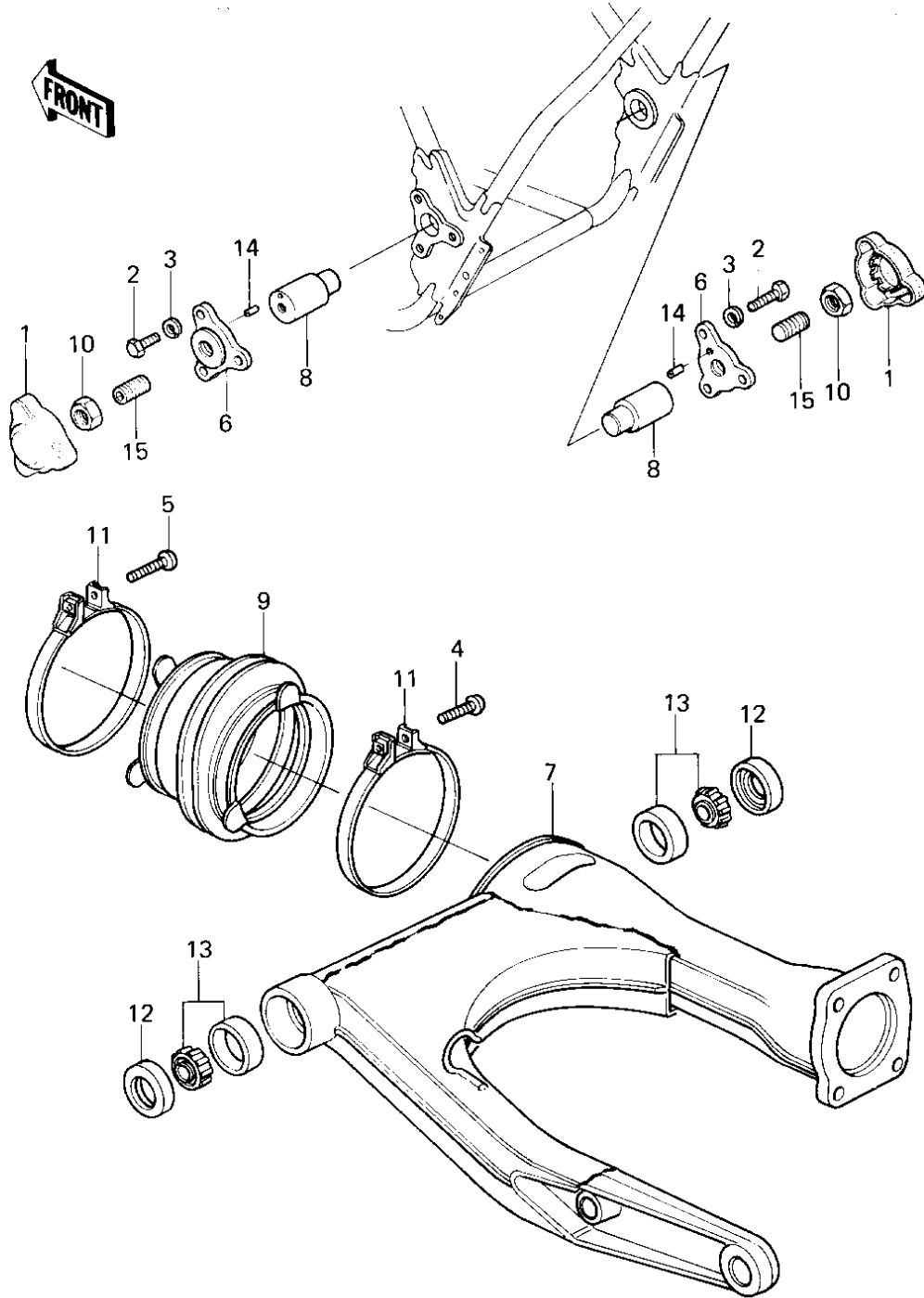


# 1980 KZ1300-B2 PARTS DIAGRAM

## SWING ARM



## 1980 KZ1300-B2 PARTS LIST

### SWING ARM

ITEM NAME	PART NUMBER	QUANTITY
COVER,SWING ARM (Ref # 2)	14025-1087	2
BOLT,8X22 (Ref # 2)	114G0822	6
WASHER SPRING 8MM (Ref # 3)	461F0800	6
SCREW-PAN-CROS (Ref # 4)	220B0420	1
SCREW-PAN-CROS (Ref # 5)	220B0430	1
STOPPER,SWING ARM (Ref # 6)	32085-1053	2
ARM,SWING (Ref # 7)	33001-1026	1
SHAFT,SWING ARM (Ref # 8)	33032-1016	2
BOOT,SWING ARM (Ref # 9)	49006-1020	1
NUT 14MM (Ref # 10)	315B1400	2
CLAMP,SWING ARM BOOT (Ref # 11)	92037-1097	2
OIL SEAL,26406 (Ref # 12)	92049-1030	2
BRG,ROLLER,4T30203E1 (Ref # 13)	92116-1001	2
PIN,SPRING,3X14 (Ref # 14)	555A0314	2
SCREW,14X22 (Ref # 15)	92009-1087	2