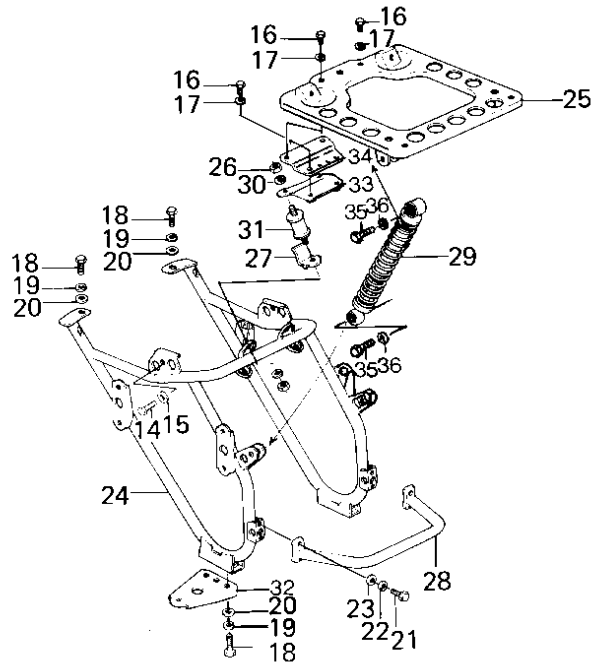
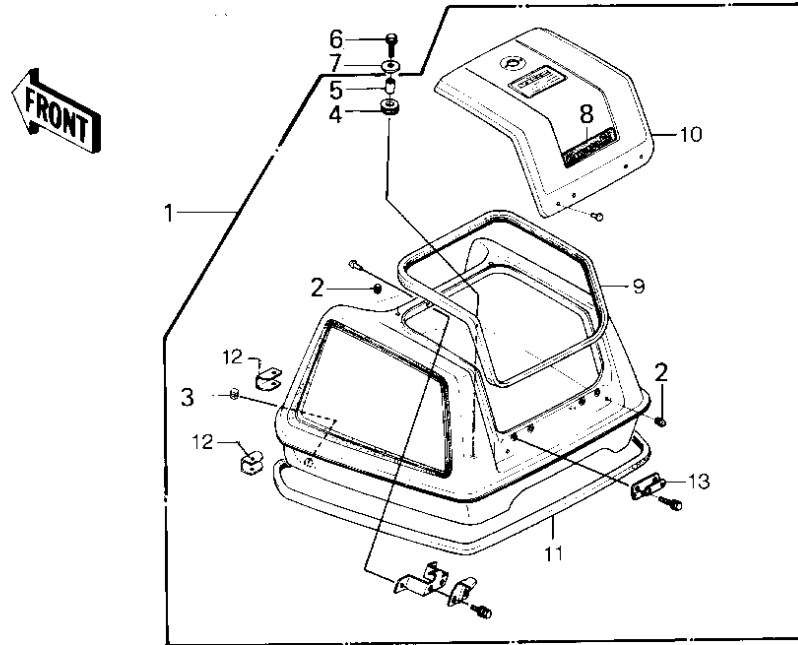


# 1980 KZ1300-B2 PARTS DIAGRAM

## TRUNK



# 1980 KZ1300-B2 PARTS LIST

## TRUNK

ITEM NAME	PART NUMBER	QUANTITY
BAG,CENTER,R.D.RED (Ref # 1)	56008-5006-D6	1
PLUG,RUBBER (Ref # 2)	92074-028	4
RUBBER PLUG (Ref # 3)	92074-038	2
DAMPER RUBBER (Ref # 4)	92075-1185	4
COLLAR,6.8X10X8.5 (Ref # 5)	92027-129	4
BOLT,6X22 (Ref # 6)	92001-1325	4
WASHER,7X24X1.6T (Ref # 7)	92022-1160	4
MARK,COWLING&TRUNK (Ref # 8)	56018-1131	1
PACKING,SIDE BAG CVR (Ref # 9)	43049-1007	1
COVER (Ref # 10)	14025-1145	1
TRIM, REAR BAG (Ref # 11)	53044-1013	1
CAP,END (Ref # 12)	39031-1003	2
HINGE (Ref # 13)	53009-1015	2
BOLT,HEX HEAD,10X18 (Ref # 14)	113G1018	2
WASHER PLAIN 10MM (Ref # 15)	410B1000	2
BOLT-UPSET,6X12 (Ref # 16)	112G0612	4
WASHER SPRING 6MM (Ref # 17)	461F0600	4
BOLT-SMALL-UPSET,8X16 (Ref # 18)	115G0816	6
WASHER SPRING 8MM (Ref # 19)	461F0800	6
WASHER PLAIN 8MM (Ref # 20)	410B0800	6
BOLT-UPSET 6X14 (Ref # 21)	112B0614	4
WASHER SPRING 6MM (Ref # 22)	461F0600	4
WASHER PLAIN 6MM (Ref # 23)	411B0600	4
BRACKET ASSY,BAG FITT (Ref # 24)	23062-1006	1
BRACKET,CENTER BAG FT (Ref # 25)	23062-1007	1
NUT 8MM (Ref # 26)	318B0800	4
STOPPER,DAMPER (Ref # 27)	32085-1058	2
STAY,CROSSMEMBER (Ref # 28)	35011-1032	1
SHOCK ABSBR RR (Ref # 29)	45014-1034	2

# 1980 KZ1300-B2 PARTS LIST

## TRUNK

ITEM NAME	PART NUMBER	QUANTITY
WASHER SPRING 8MM (Ref # 30)	461F0800	4
DAMPER,CENTER BAG (Ref # 31)	92075-1201	2
BRACKET,BAG FITTING (Ref # 32)	11034-1720	2
BRACKET,DAMPER FITT (Ref # 33)	11034-1808	1
BRACKET,DAMPER FITT (Ref # 34)	11034-1809	1
BOLT,HEX HEAD 10X35 (Ref # 35)	92001-1252	4
WASHER SPRING 10MM (Ref # 36)	461F1000	4