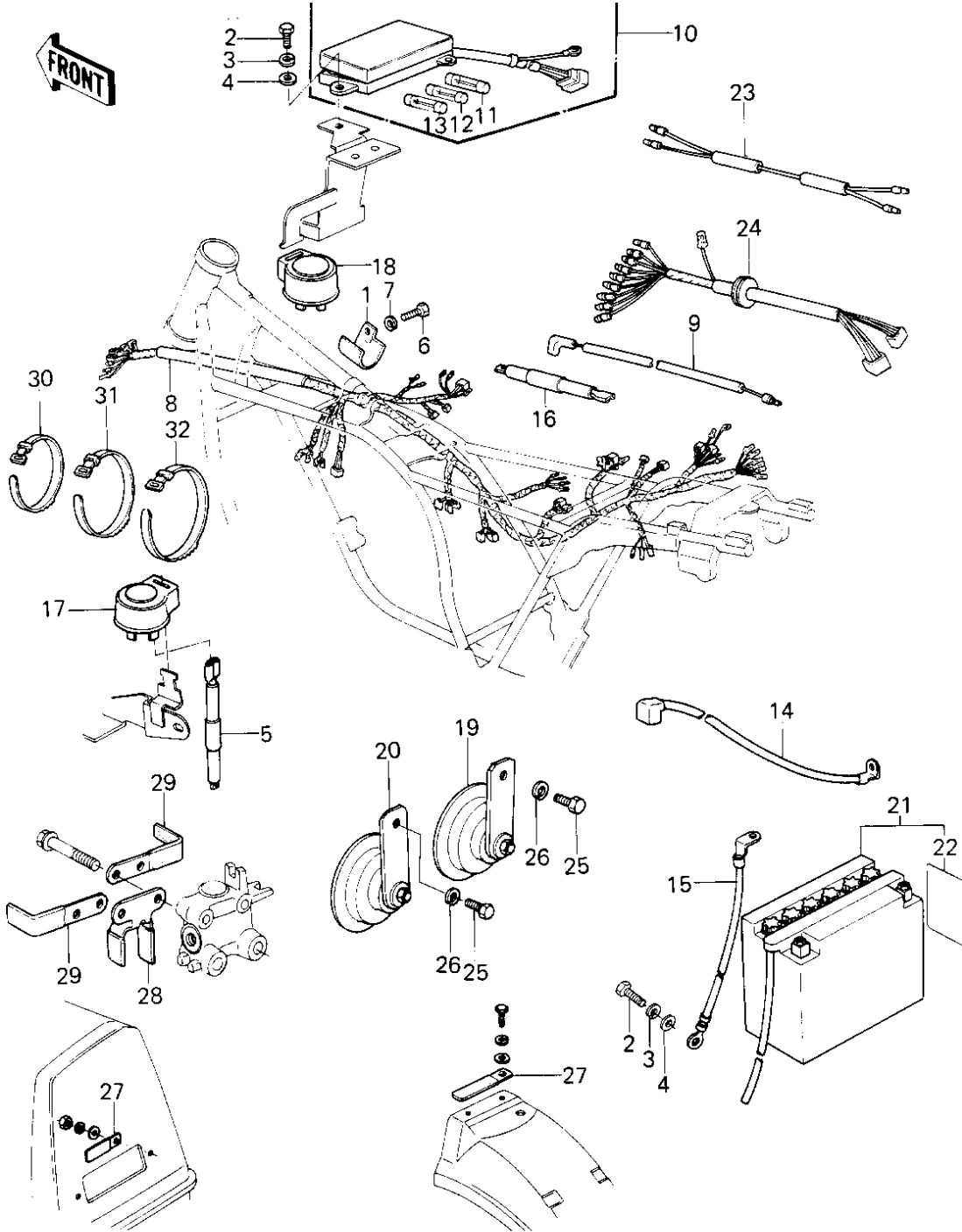


1980 KZ1300-B2 PARTS DIAGRAM

CHASSIS ELECTRICAL EQUIPMENT



1980 KZ1300-B2 PARTS LIST

CHASSIS ELECTRICAL EQUIPMENT

| ITEM NAME | PART NUMBER | QUANTITY |
|----------------------------------|-------------|----------|
| GUIDE,MAIN HARNESS (Ref # 1) | 13070-1022 | 1 |
| BOLT-UPSET,6X12 (Ref # 2) | 112G0612 | 3 |
| WASHER SPRING 6MM (Ref # 3) | 461F0600 | 3 |
| WASHER PLAIN 6MM (Ref # 4) | 411B0600 | 3 |
| REGULATOR (Ref # 5) | 21066-026 | 1 |
| BOLT,6X10 (Ref # 6) | 112G0610 | 1 |
| WASHER SPRING 6MM (Ref # 7) | 461F0600 | 1 |
| WIRING HARNESS,MAIN (Ref # 8) | 26001-1172 | 1 |
| WIRING HARNESS,MAIN (Ref # 8) | 26001-1172 | 1 |
| WIRING HARNESS,SUB (Ref # 9) | 26001-1064 | 1 |
| FUSE ASSY (Ref # 10) | 26004-1009 | 1 |
| FUSE,2A,L=25M/M (Ref # 11) | 26006-1004 | 2 |
| FUSE 10A (Ref # 12) | 26006-003 | 4 |
| FUSE,30A,L=25M/M (Ref # 13) | 26006-1005 | 2 |
| WIRE,STARTER LEAD (Ref # 14) | 26011-1037 | 1 |
| WIRE,BATTERY GROUND (Ref # 15) | 26011-1038 | 1 |
| REGULATOR (Ref # 16) | 21066-026 | 1 |
| RELAY-TURN SIGNAL (Ref # 17) | 27002-011 | 1 |
| RELAY,TURN SIGNAL (Ref # 18) | 27002-016 | 1 |
| HORN,R.H (Ref # 19) | 27003-1016 | 1 |
| HORN,L.H (Ref # 20) | 27003-1025 | 1 |
| YUA BAT Y50-N18L-A2 (Ref # 21) | 26012-1012 | 1 |
| LABEL-WARNING,BATTERY (Ref # 22) | 56040-1036 | 1 |
| WIRING HARNESS,SUB (Ref # 23) | 26001-1094 | 2 |
| WIRING HARNESS,SUB (Ref # 24) | 26001-1093 | 1 |
| BOLT-SMALL-UPSET,8X14 (Ref # 25) | 115B0814 | 2 |
| WASHER SPRING 8MM (Ref # 26) | 461F0800 | 2 |
| CLAMP,WIRING HARNESS (Ref # 27) | 92037-1069 | 3 |
| CLAMP,MAIN HARNESS (Ref # 28) | 92037-1136 | 1 |

1980 KZ1300-B2 PARTS LIST

CHASSIS ELECTRICAL EQUIPMENT

| ITEM NAME | PART NUMBER | QUANTITY |
|--------------------------------|-------------|----------|
| CLAMP,MAIN HARNESS (Ref # 29) | 92037-1137 | 2 |
| BAND,SHORT (Ref # 30) | 92072-030 | 5 |
| BAND,MIDDLE (Ref # 31) | 92072-031 | 5 |
| BAND,WIRING HARNESS (Ref # 32) | 92072-056 | 5 |