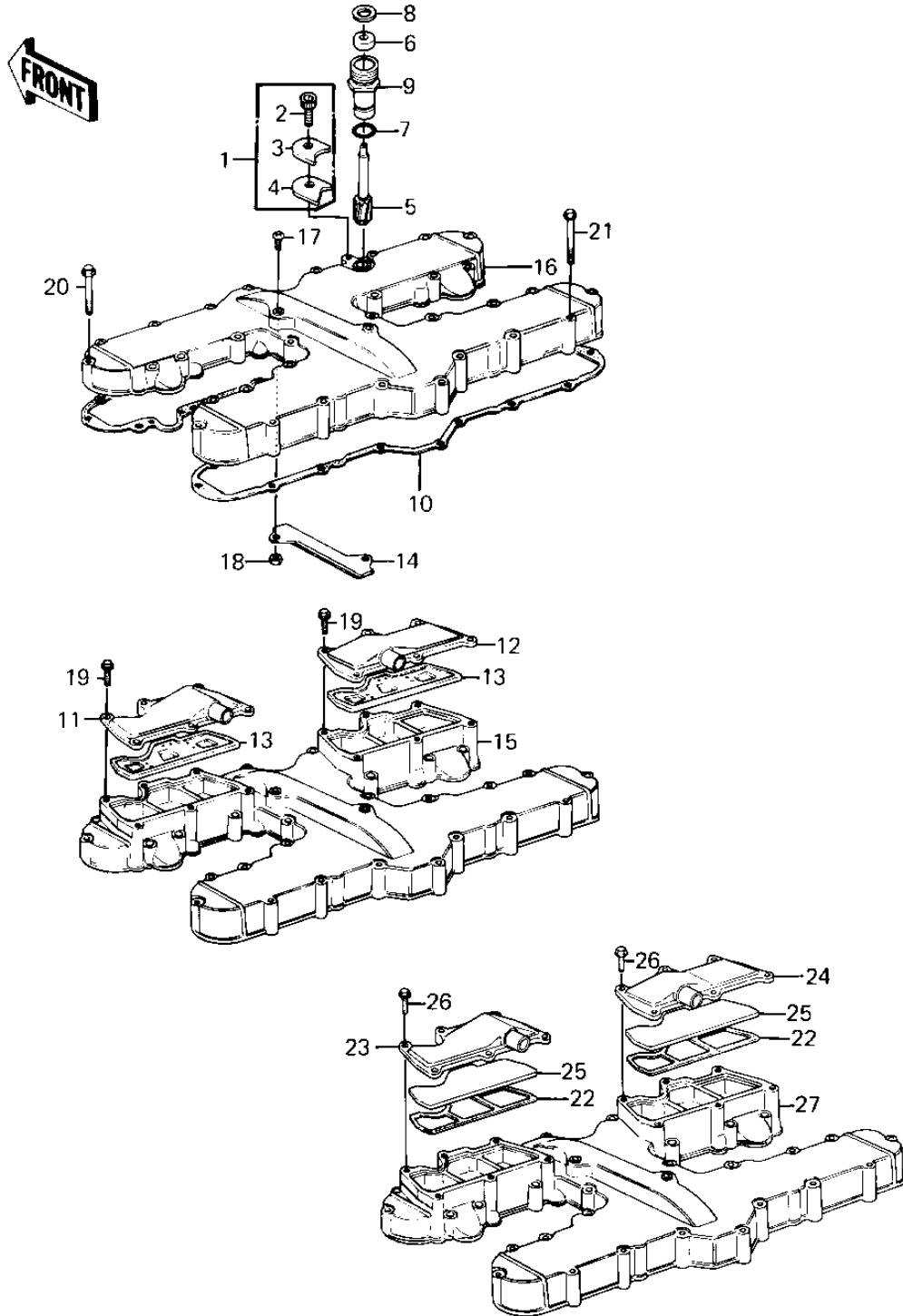


# 1980 KZ1300-A2 PARTS DIAGRAM

## CYLINDER HEAD COVER



# 1980 KZ1300-A2 PARTS LIST

## CYLINDER HEAD COVER

ITEM NAME	PART NUMBER	QUANTITY
HOLDER SET,TACHOMETER (Ref # 1)	13091-5001	1
BOLT,6X14 (Ref # 2)	120P0614	1
HOLDER,TACHOMETER2.3T (Ref # 3)	13091-1008	1
HOLDER,TACHOMETR,3.2T (Ref # 4)	13091-1009	1
GEAR,TACHOMETER,10T (Ref # 5)	13223-011	1
OIL SEAL (Ref # 6)	92050-075	1
RING-O,10MM (Ref # 7)	92055-1149	1
GASKET,TACHOMETER GER (Ref # 8)	92065-103	1
GUIDE,TACHOMETER GEAR (Ref # 9)	92087-010	1
GASKET,CYL HEAD COVER (Ref # 10)	11009-1095	1
GUIDE,CHAIN,CAM (Ref # 14)	12053-1026	1
COVER,CYLINDER HEAD (Canada) (Ref # 16)	14025-1157	1
SCREW PAN HEAD 6X16 (Ref # 17)	220B0616	2
NUT 6MM (Ref # 18)	311B0600	2
BOLT,HEX HEAD,6X52 (Ref # 20)	92001-1192	4
BOLT,HEX HEAD,6X45 (Ref # 21)	92003-092	28
GASKET (Canada) (Ref # 22)	11009-1170	2
CAP,L.H (Canada) (Ref # 23)	11012-1107	1
CAP,R.H (Canada) (Ref # 24)	11012-1108	1
PLATE (Canada) (Ref # 25)	13169-1221	2
BOLT,HEX HEAD,6X20 (Ref # 26)	92001-1100	12
COVER,CYLINDER HEAD (Ref # 27)	14025-1062	1
COVER,CYLINDER HEAD (Ref # 27)	14025-1312	1