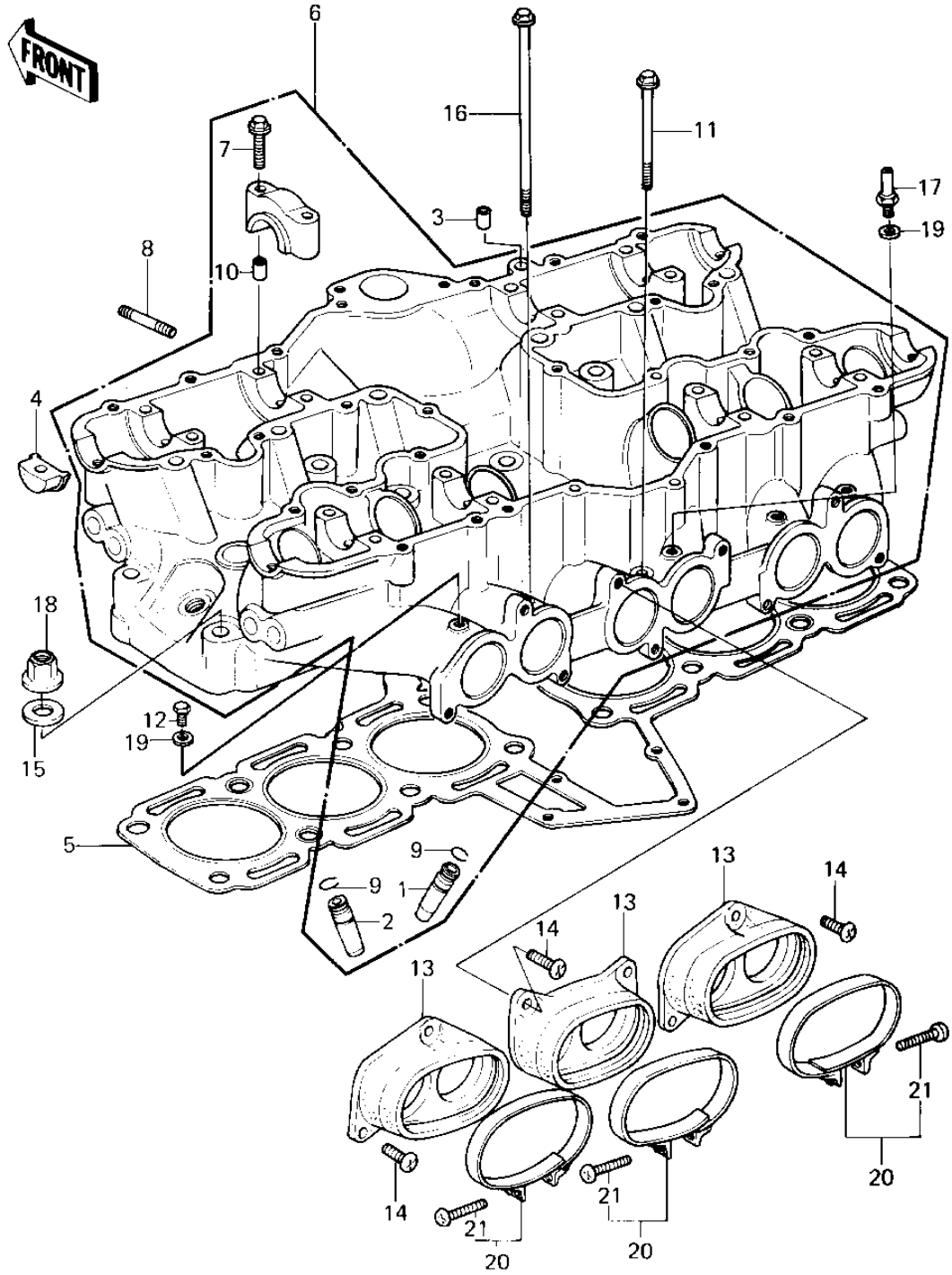


1980 KZ1300-A2 PARTS DIAGRAM

CYLINDER HEAD



1980 KZ1300-A2 PARTS LIST

CYLINDER HEAD

ITEM NAME	PART NUMBER	QUANTITY
GUIDE,INLET VALVE (Ref # 1)	12013-009	6
GUIDE,EXHAUST VALVE (Ref # 2)	49002-1002	6
PIN-DOWEL (Ref # 3)	92042-007	1
PLUG,CAMSHAFT (Ref # 4)	92066-1030	4
GASKET,HEAD,CYLINDER (Ref # 5)	11004-1014	1
HEAD-COMP-CYLINDER (Ref # 6)	11008-1022	1
11008-5002 (Canada) (Ref # 6)	11008-1004	1
HEAD,CYLINDER (Ref # 6)	11008-1002	1
BOLT,HEX HEAD,6X45 (Ref # 7)	92003-092	16
STUD,6X27 (Ref # 8)	92004-066	12
CIRCLIP-VALVE (Ref # 9)	92036-023	12
PIN-DOWEL (Ref # 10)	92042-007	16
BOLT,FLANGED,6X65 (Ref # 11)	130G0665	3
BOLT,FLANGED,6X18 (Ref # 12)	130N0608	6
HOLDER,CARBURETOR (Ref # 13)	16065-1016	3
SCREW PAN HEAD 6X16 (Ref # 14)	220B0616	9
WASHER PLAIN 10MM (Ref # 15)	411B1000	16
BOLT,HEX HEAD,6X161 (Ref # 16)	92001-1302	1
NUT,CYLINDER HEAD (Ref # 18)	92015-076	16
WASHER,PLAIN (Ref # 19)	92022-304	6
CLAMP,CARBURETOR HLDR (Ref # 20)	92037-1119	3
SCREW,PAN HEAD,5X30 (Ref # 21)	92011-032	3